

GEORGIAN CHAMPIONSHIP IN FS STYLE CADET



UNITED WORLD
WRESTLING

TBILISI (GEO)

2018-02-08 - 2018-02-10 2018

Résultats - Results

Lutte Libre - Free-Style





Liste des arbitres / Referee list

Georgian Championship in FS Style Cadet



<i>N°</i>	<i>Licence</i>	<i>Pays Country</i>	<i>Nom - Last Name</i>	<i>Prénom - First Name</i>
-----------	----------------	-------------------------	------------------------	----------------------------





Liste des nations / Countries List

Georgian Championship in FS Style Cadet

STYLE FS



Pays - Country




GEORGIA

GEO

Nombre de nations - Number of Countries

1

**Nombre d'engagés par nation / Number of Entries By Country****Georgian Championship in FS Style Cadet****STYLE FS**

Pays - Country	110 KG	45 KG	48 KG	51 KG	55 KG	60 KG	65 KG	71 KG	80 KG	92 KG	TOTAL
 GEO	6	16	14	27	39	47	52	32	20	13	266
TOTAL	6	16	14	27	39	47	52	32	20	13	266

Nombre de nations - Number of Countries 1



Liste des Engagés par pays / Entry-List By Country

Georgian Championship in FS Style Cadet



STYLE FS

GEORGIA (GEO)

Lutteur(s) / Wrestler(s) :

110 kg	ARGHVLIANI, Giorgi TBL ORC BURCHULAIA, Levan TBL FESTVENIDZE, Demuri KTS KAPANADZE, Alike NNTSM KATSADZE, David KTS MANASHVILI, Solom TBL
45 kg	BARSONIDZE, Bejani AMBRL BERIDZE, Igori AJR CHABAKAURI, Emzari TBL FIFIA, Giorgi RST GOGRICHIANI, Giorgi AMBRL GUGESHASHVILI, Luka ONI KHACHATURIANI, Levani GORI KHVADAGIANI, Avtandili TBL LUASHVILI, Shalva KVRL MTCHEDLIDZE, Giorgi KSHR NADIRASHVILI, Shota KSHR NATOBIDZE, Giorgi RST SAGINASHVILI, Giorgi SGRJ TSKHADAIA, Joni TBL ORC UGREKHELIDZE, Revazi BLNS ZAUTASHVILI, Tamazi GRDB
48 kg	ABULASHVILI, Giorgi RST BEZHANISHVILI, Amirani BLN DURGLISHVILI, Zurabi TBL GAJIEVI, Shamili KVRL ORC GOGSADZE, Saba AMBRL JAKELIDZE, Zuriko AJR JOKHADZE, Tornike ONI KHACHATURYAN, Levan GORI KHVADAGIANI, Avto TBL LABADZE, Giorgi KSHR MAMULASHVILI, Otari BLNS NADIRASHVILI, Soso KSHR TCHOLADZE, Giorgi KTS TSURTSUMIA, Merabi NNTSM
51 kg	AFTSIAURI, Igori TBL BADIROVI, Aidanezi TBL BERIDZE, Nugzari TBL BERUASHVILI, Nika RST BERUASHVILI, Luka RST CHKHITUNIDZE, Luka SCHKHR CHOKORAIA, Aslani ZGDD DURGARIANI, Armani NNTSM DURGLISHVILI, Giorgi QRL DZIRKVDZE, Kakha OZR FUTKARADZE, Beqa AJR GABARASHVILI, Giorgi TBL GAZASHVILI, Omari GORI GEGELASHVILI, Giorgi GORI GIGAURI, Beqa QRL GVIRJISHVILI, Zaali GRDB KHOJOIANI, Aleko AJR MAISURADZE, Vladimeri TBL ORC MAMIASHVILI, Nugzari KSHR MELADZE, Lekso GORI



Liste des Engagés par pays / Entry-List By Country

Georgian Championship in FS Style Cadet



STYLE FS

55 kg

QETSIAN, Gor NNTSM
QITESASHVILI, Kakha KVRL
QOBALIA, Saba TSLNJ
QOBULADZE, Daviti BLNS
TSIMINTIA, Shota TSLNJ
TSURTSUMIA, Merabi NNTS
TULASHVILI, Tornike SGRJ

ABDALADZE, Daviti KTS
ADEISHVILI, Otari SMTR
AVALISHVILI, Bachuki BLNS
BEKOSHVILI, Beqa RST
BEQAURI, Giorgi TBL
BERELIDZE, Vazha RST
BEZHUASHVILI, Giorgi TBL
BUKHUTASHVILI, Irakli KTS
CHAVCHAVADZE, Leko QRL
DAVITADZE, Giorgi AJR
GOGRICHIANI, Nikoloz AMBRL
KABULASHVILI, Levani GORI
KARCHKHADZE, Luka AJR
KVIRCHISHVILI, Shalva KZB
LEZHAVA, Jumberi KTS
MAKHARADZE, Demetre LNCH
MDINARADZE, Lasha TBL
MDZINARASHVILI, Avto GORI
MIDODASHVILI, Zura GORI
MODOSYAN, Adam GORI
MORTULADZE, Leri AJR
NASUASHVILI, Vasili GORI
ONIANI, Goderdzi SMTR
PAPIDZE, Luka SCHKH
PETRIASHVILI, Temuri QRL
POGHOSYAN, Akop NNTSM
QURKHULI, Gigi SGRJ
SHARABIDZE, Luka LNCH
SHAVADZE, Mamuka LNCH
SHEKLASHVILI, Khvicha TBL
SILAGADZE, Giorgi KHONI
SIRAKANYAN, Zhora NNTSM
TAMAZASHVILI, Zurabi KVRL
TOROSHELIDZE, Nikoloz KHSR
TSKHOVREBADZE, Levani GORI
UGULAVA, Giorgi TBL
VARDZIASHVILI, Rezo MTSKH
ZANGALADZE, Vakhtang TBL
ZAUTASHVILI, Elguja GRDB

60 kg

ABUSERIDZE, Zviadi AJR
ARCHUADZE, Giorgi GORI
BOLQVADZE, Giorgi TBL
FATSINASHVILI, Gurami GORI
GABRELIAN, Vazgen AKHLK
GADELIA, Saba FOTI
GAGUA, Luka TBL
GAMKRELIDZE, Vladimeri AMBRL
GELASHVILI, Zauri KSP
GELBAKHIANI, Nika SCHKH
GORGADZE, Manuchari OZRG
GULITASHVILI, Giorgi SCHKH
GURGENIDZE, Mamuli AJR
IADZE, Koba TBL
IASHVILI, Beqa AMBRL



Liste des Engagés par pays / Entry-List By Country

Georgian Championship in FS Style Cadet



STYLE FS

65 kg

INAISHVILI, Nika AJR
KARELIDZE, Sergo GORI
KHACHIURI, Giorgi GORI
KOBAKHIDZE, Giorgi AMBRL
KORTI, Zoro TBL
KURKUMULI, Nika TBL
LOQAFIDZE, Nika GORI
MAMANISHVILI, Daviti KVRL
MDINARADZE, Luka TBL
MIDELASHVILI, Vakhtang KSP
MIDODASHVILI, Giorgi GORI
MINDIASHVILI, Beqa GORI
MUKBANYAN, Ilia KHONI
NACHKEBIA, Giorgi ZGDD
NONIASHVILI, Achiko BLNS
QAQALASHVILI, Dati KVRL
QVLIVIDZE, Bacho SGRJ
QVLIVIDZE, Firuzi SGRJ
QVRIVISHVILI, Sergo GORI
SEFASHVILI, Besiki KVRL
SHAVADZE, Dato OZRG
SHONIA, Leqso ZGDD
SHONIA, Giorgi TBL
SKHIRTLADZE, Guga ONI
SLOYAN, Sabri TBL
TABATADZE, Luka TBL
TERASHVILI, Tornike RST
TLASHADZE, Lasha GORI
TOROSHELIDZE, Giorgi QRL
TSATAVA, Zviad TBL ORC
ZALKALYAN, Giorgi AMBRL
ZAUTASHVILI, Giorgi GRDB

ALIEV, Vasef BLNS
AMBROSISHVILI, Saba TBL
BADRIASHVILI, Giorgi TBL
BENDIANISHVILI, Giorgi ONI
BURDULI, Nikoloz TBL
CHAVCHAVADZE, Saba QRL
CHITADZE, Akaki RST
DEVRIASHVILI, Mikheil BLNS
DOLIDZE, Ilia AJR
EBILASHVILI, Giorgi TBL
FATSINASHVILI, Daviti GORI
GAGUA, Vato AMBRL
GELASHVILI, Giorgi KSHR
GERLIANI, Giorgi TBL
GILIGASHVILI, Giorgi GRDB
GOGIBERIDZE, Koba SMTR
GOGOLADZE, Saba RST
GOGUADZE, Temuri AJR
GRIGOLIA, Onise TBL
IOBADZE, Tornike TBL ORC
JANEZASHVILI, Luka GORI
JINCHARADZE, Saba AMBRL
KHACHIDZE, Luka NNTSM
KHATIASHVILI, Vasili KVRL
KHETSURYAN, Levan BLNS
KHOSROSHVILI, Beqa TBL
KHUTSISHVILI, Mishiko KSP
KUTALADZE, Manuchar SCHKH
KVELASHVILI, Tornike GORI



Liste des Engagés par pays / Entry-List By Country

Georgian Championship in FS Style Cadet



STYLE FS

	LOBJANIDZE, Tornike GRDB
	MAISURADZE, David GORI
	MAKHARADZE, Diego AJR
	MARIAMIDZE, Luka TBL ORC
	MELADZE, Nikoloz MTSKH
	MIDELASHVILI, Tarieli KSP
	MOSOYAN, Zhora AKHLK
	MZHAVANADZE, Dato AJR
	OGANEZOV, Erik TBL
	PETRIASHVILI, Viktor QRL
	POPIASHVILI, Giorgi TBL
	QARQISHVILI, Gurami GORI
	QATSANASHVILI, Lasha TBL
	SAMKHARADZE, Tornike ONI
	SHAQARISHVILI, Saba AJR
	TARUASHVILI, Luka GORI
	TATULASHVILI, Zaza TBL
	TAVKELISHVILI, Valeri GORI
	TKEMALADZE, Temuri QRL
	TVALIAHSVILI, Temuri KVRL
	UCHIDZE, Luka AKHL
	UMEKASHVILI, Luka GORI
	ZEDGENIDZE, Gaga GRDB
71 kg	ABASHIDZE, Sul Khan AJR
	BASASHVILI, Tornike GORI
	CHAGHASHVILI, Giorgi GORI
	GAGNIDZE, Bagrati KTS
	GAJIEVI, Zubaira KVRL
	GOLUBIANI, Anzori RST
	GOTSIRIDZE, Mikheili TBL
	GRIGOLIA, Onise TBL
	IORAMASHVILI, Daviti KVRL
	IREMADZE, Luka KTS
	KAKOSHVILI, Tornike TBL ORC
	KAPANADZE, Saba TBL
	KHAINDRAVA, Luka GORI
	KHAREBAVA, Dito ZGDD
	KHUBULURI, Gurami TBL
	KHUTCHUA, Luka SMTR
	KIKVADZE, Irakli AMBRL
	KOGHUASHVILI, Daviti KTS
	KUTCHUASHVILI, Daviti SGRJ
	LAGVILAVA, Nikoloz ZGDD
	MARGHISHVILI, Andria QRL
	MUZASHVILI, Nika TBL
	NATENADZE, Shaqro GRDB
	ORMOTSADZE, Shota SMTR
	REVISHVILI, Guga KTS
	SHAVADZE, Enda AJR
	SULEIMANISHVILI, Merabi GORI
	TAMARASHVILI, Giorgi KSP
	TEDIASHVILI, Irakli AJR
	TETUNASHVILI, Zura RST
	URUMASHVILI, Daviti BLN
	ZHIZHIASHVILI, Tornike TBL ORC
80 kg	AKHALAIA, Tornike RST
	ASADOVI, Khuseini TBL
	BABILASHVILI, Nikoloz TBL ORC
	BURDULI, Revazi TBL
	CHABASHVILI, Nodari RST
	CHANQSELIANI, Giorgi KHONI



Liste des Engagés par pays / Entry-List By Country

Georgian Championship in FS Style Cadet



STYLE FS

92 kg

DGEBUADZE, Aleqsi KTS
GAMTENADZE, Saba KTS
GAVASHELISHVILI, Misha RST
KANTIDZE, Bako TBL
KONTSELIDZE, Zurabi AJR
KUSIANI, Nika RST
MATCHUTADZE, Giorgi AJR
MENTESHASHVILI, Tornike BLNS
NEBUNISHVILI, Giorgi GRDB
PATCHKORIA, Sandro FOTI
QAZUMOVI, Sanan BLNS
TODUA, Giorgi ZGDD
URTMELADZE, Guga TBL ORC
ZABILONI, Temuri GORI

AKHALADZE, Muradi GORI
ARCHVADZE, Guga ONI
BASISHVILI, Beso GORI
BERULAVA, Nika TBL
CHIKHRADZE, Giorgi ONI
FANGANI, Beqa TBL
GOGORIANI, Kharazi AKHLK
JAFARIDZE, Shaqro AMBRL
KETILADZE, Razhiko KHONI
KURASHVILI, Saba TBL
MAKHAROBIDZE, Giorgi GORI
QOCHIASHVILI, Nodari GRDB
URUZASHVILI, Giorgi TBL

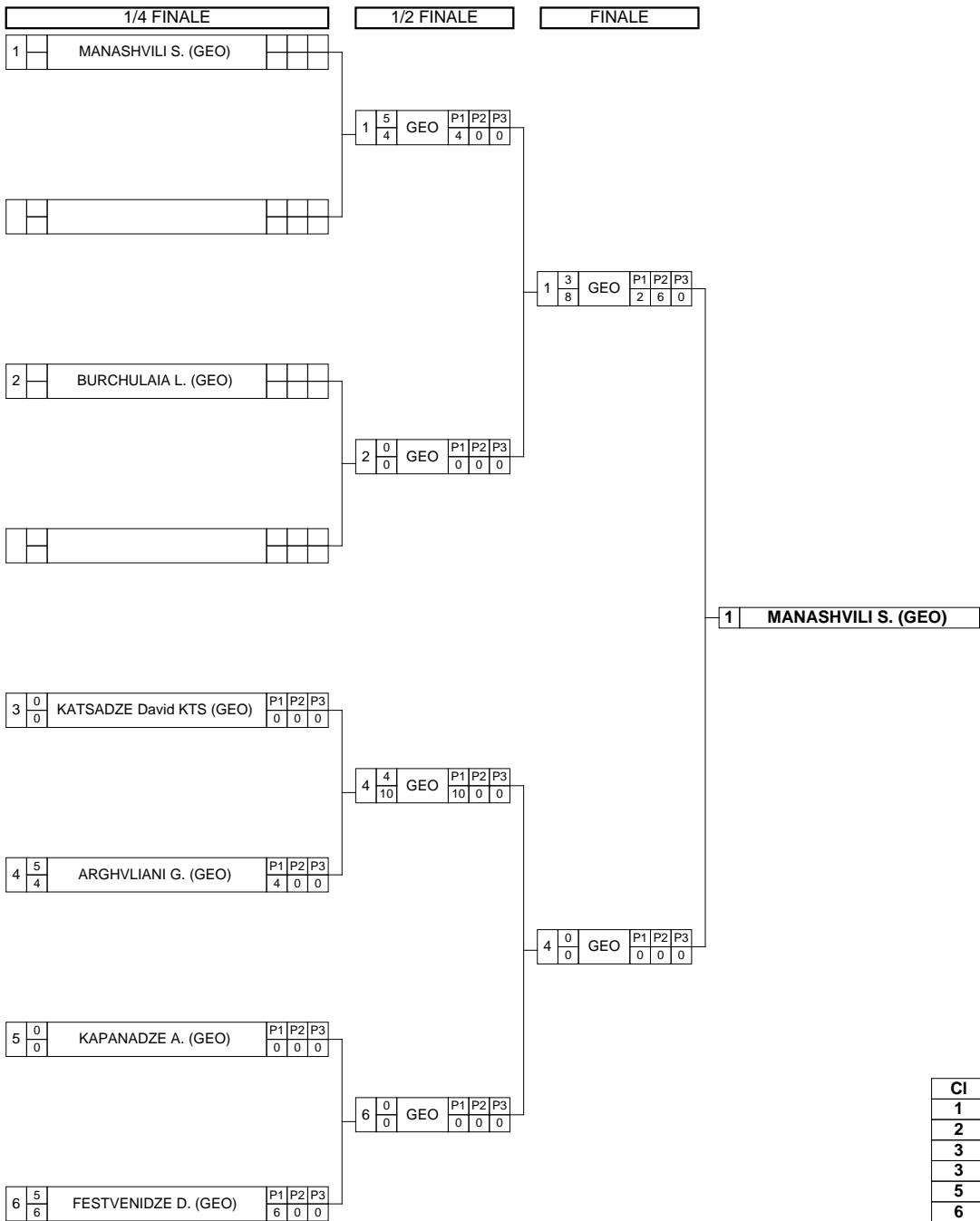


Feuille de compétition / Competition Sheet

Georgian Championship in FS Style Cadet

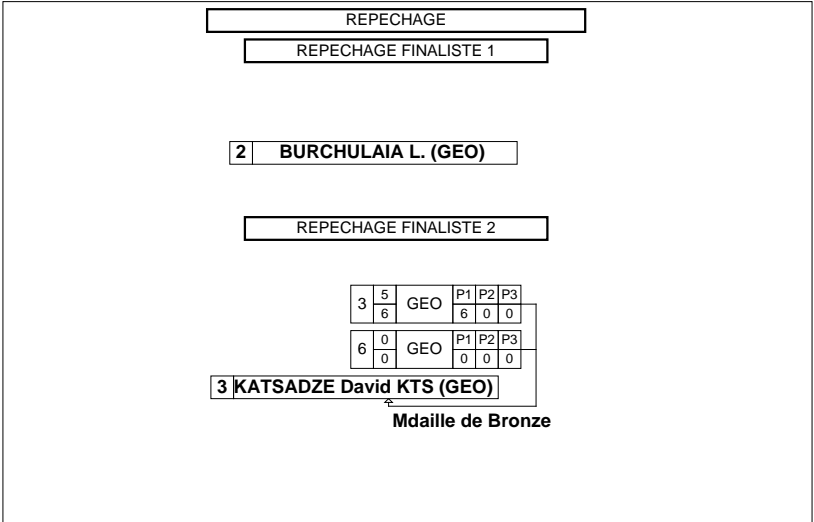


STYLE : FS 110 kg



Classement

Cl	Pays	Nom
1	GEO	MANASHVILI Solom TBL
2	GEO	ARGHVLIANI Giorgi TBL ORC
3	GEO	BURCHULAIA Levan TBL
3	GEO	KATSADZE David KTS
5	GEO	FESTVENIDZE Demuri KTS
6	GEO	KAPANADZE Alike NNTSM



Classement**Georgian Championship in FS Style Cadet**

STYLE : FS 110 kg

UNITED WORLD
WRESTLING**1 - Or / Gold**

MANASHVILI Solom TBL

2 - Argent / Silver

ARGHVLIANI Giorgi TBL ORC

3 - Bronze

BURCHULAIA Levan TBL



KATSADZE David KTS

<i>Classement</i>	<i>Nom - Name</i>	<i>Pays - Country</i>
1	MANASHVILI S.	GEO
2	ARGHVLIANI G.	GEO
3	BURCHULAIA L.	GEO
3	KATSADZE David KTS	GEO
5	FESTVENIDZE D.	GEO
6	KAPANADZE A.	GEO



Feuille de compétition / Competition Sheet

Georgian Championship in FS Style Cadet



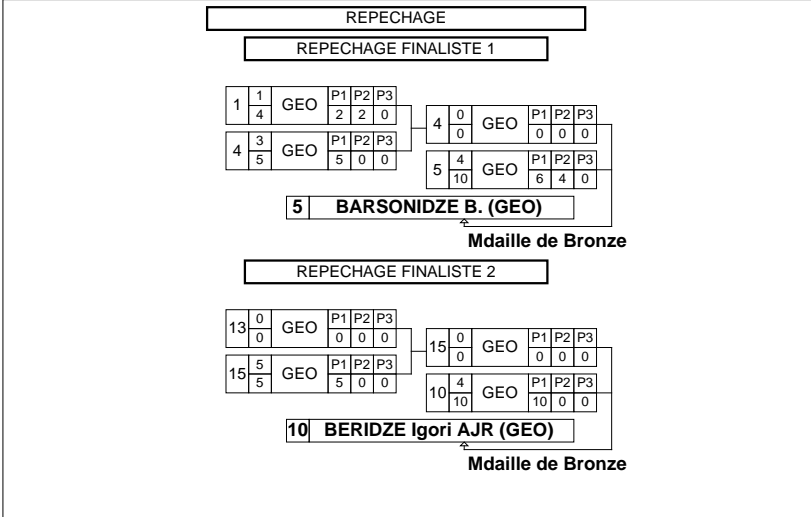
STYLE : FS 45 kg



2 TSKHADAIA J. (GEO)

Classement

Cl	Pays	Nom
1	GEO	TSKHADAIA Joni TBL ORC
2	GEO	GOGRICHIANI Giorgi AMBRL
3	GEO	BARSONIDZE Bejani AMBRL
3	GEO	BERIDZE Igori AJR
5	GEO	GUGESHASHVILI Luka ONI
5	GEO	NATOBIDZE Giorgi RST
7	GEO	FIFIA Giorgi RST
8	GEO	SAGINASHVILI Giorgi SGRJ
9	GEO	LUASHVILI Shalva KVRL
10	GEO	NADIRASHVILI Shota KSHR
10	GEO	CHABAKAURI Emzari TBL
10	GEO	KHVADAGIANI Avtandili TBL
13	GEO	MTCHEDLIDZE Giorgi KSHR
14	GEO	KHACHATURIANI Levani GORI
15	GEO	UGREKHELIDZE Revazi BLNS
15	GEO	ZAUTASHVILI Tamazi GRDB



Classement**Georgian Championship in FS Style Cadet**

STYLE : FS 45 kg

UNITED WORLD
WRESTLING**1 - Or / Gold**

TSKHADAIA Joni TBL ORC

2 - Argent / Silver

GOGRICHIANI Giorgi AMBRL

3 - Bronze

BARSONIDZE Bejani AMBRL



BERIDZE Igori AJR

<i>Classement</i>	<i>Nom - Name</i>	<i>Pays - Country</i>
1	TSKHADAIA J.	GEO
2	GOGRICHIANI G.	GEO
3	BARSONIDZE B.	GEO
3	BERIDZE Igori AJR	GEO
5	GUGESHASHVILI L.	GEO
5	NATOBIDZE G.	GEO
7	FIFIA Giorgi RST	GEO
8	SAGINASHVILI G.	GEO
9	LUASHVILI S.	GEO
10	NADIRASHVILI S.	GEO
10	CHABAKAURI E.	GEO
10	KHVADAGIANI A.	GEO
13	MTCHEDLIDZE G.	GEO
14	KHACHATURIANI L.	GEO
15	UGREKHELIDZE R.	GEO
15	ZAUTASHVILI T.	GEO

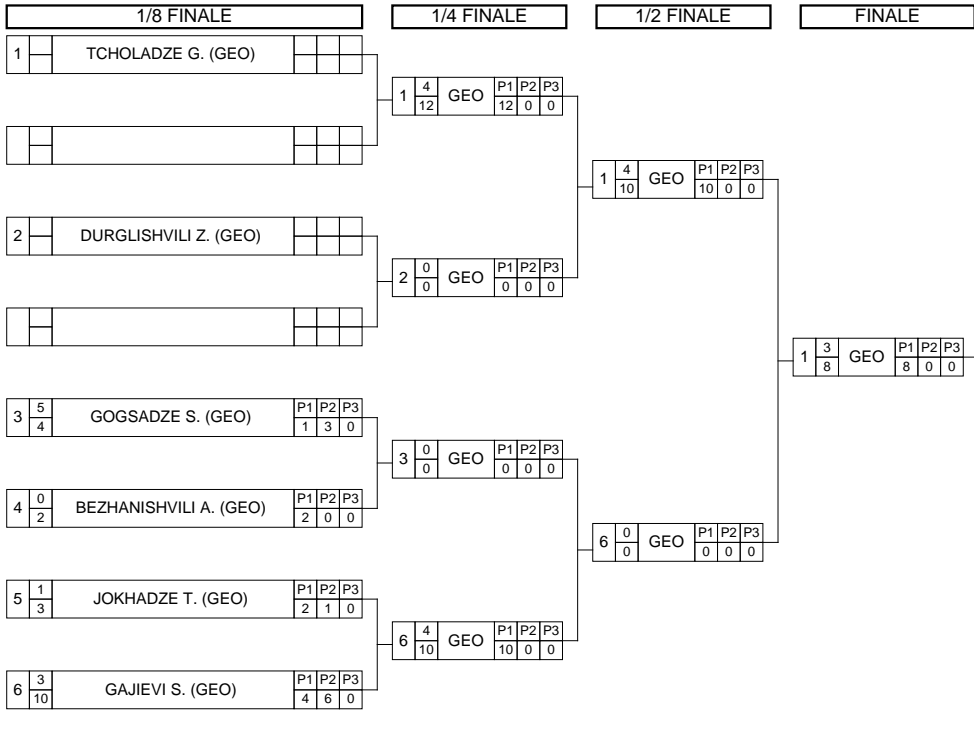


Feuille de compétition / Competition Sheet

Georgian Championship in FS Style Cadet



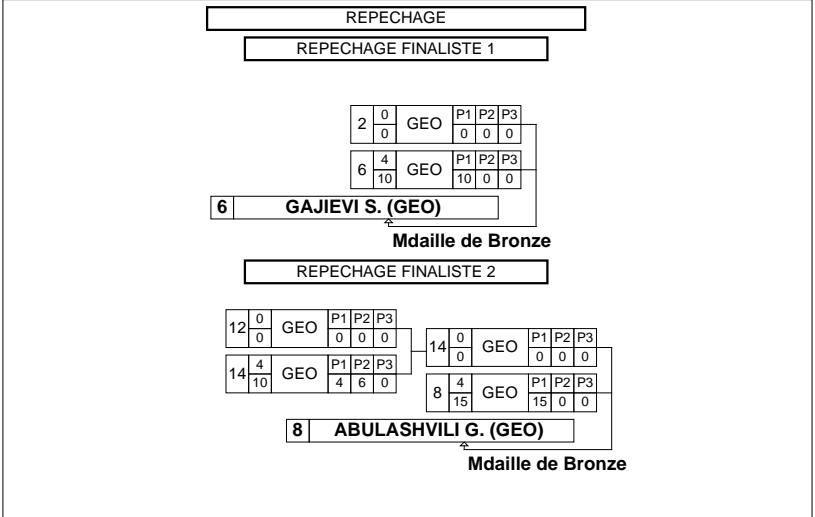
STYLE : FS 48 kg



1 TCHOLADZE G. (GEO)

Classement

Cl	Pays	Nom
1	GEO	TCHOLADZE Giorgi KTS
2	GEO	JAKELIDZE Zuriko AJR
3	GEO	GAJIEVI Shamili KVRL ORC
3	GEO	ABULASHVILI Giorgi RST
5	GEO	KHACHATURYAN Levan GORI
5	GEO	DURGLISHVILI Zurabi TBL
7	GEO	GOGSADZE Saba AMBRL
8	GEO	MAMULASHVILI Otari BLNS
9	GEO	JOKHADZE Tornike ONI
10	GEO	BEZHANISHVILI Amirani BLN
11	GEO	KHVADAGIANI Avto TBL
12	GEO	NADIRASHVILI Soso KSHSR
12	GEO	LABADZE Giorgi KSHSR
14	GEO	TSURTSUMIA Merabi NNTSM



Classement**Georgian Championship in FS Style Cadet**

STYLE : FS 48 kg

UNITED WORLD
WRESTLING**1 - Or / Gold**

TCHOLADZE Giorgi KTS

2 - Argent / Silver

JAKELIDZE Zuriko AJR

3 - Bronze

GAJIEVI Shamili KVRL ORC ABULASHVILI Giorgi RST

<i>Classement</i>	<i>Nom - Name</i>	<i>Pays - Country</i>
1	TCHOLADZE G.	GEO
2	JAKELIDZE Z.	GEO
3	GAJIEVI S.	GEO
3	ABULASHVILI G.	GEO
5	KHACHATURYAN L.	GEO
5	DURGLISHVILI Z.	GEO
7	GOGSADZE Saba AMBRL	GEO
8	MAMULASHVILI O.	GEO
9	JOKHADZE T.	GEO
10	BEZHANISHVILI A.	GEO
11	KHVADAGIANI A.	GEO
12	NADIRASHVILI S.	GEO
12	LABADZE G.	GEO
14	TSURTSUMIA M.	GEO



UNITED WORLD
WRESTLING

Feuille de compétition / Competition Sheet

Georgian Championship in FS Style Cadet



STYLE : FS 51 kg

QUALIFICATION			1/8 FINALE			1/4 FINALE			1/2 FINALE			FINALE					
1		BERUASHVILI L. (GEO)				1	4	GEO	P1	P2	P3	1	1	GEO	P1	P2	P3
							10		10	0	0		6		4	2	0
2		CHOKORAIA A. (GEO)				2	0	GEO	P1	P2	P3	3	4	GEO	P1	P2	P3
							0		0	0	0		13		9	4	0
3		GEGELASHVILI G. (GEO)				3	4	GEO	P1	P2	P3	3	3	GEO	P1	P2	P3
							10		10	0	0		11		8	3	0
4		QOBALIA Saba TSLNJ (GEO)				4	0	GEO	P1	P2	P3	3	5	GEO	P1	P2	P3
							0		0	0	0		5		5	0	0
5		BADIROVI A. (GEO)				5	3	GEO	P1	P2	P3	5	0	GEO	P1	P2	P3
							7		7	0	0		0		0	0	0
6	4	GIGAURI Beqa QRL (GEO)	P1	P2	P3	6	1	GEO	P1	P2	P3	9	1	GEO	P1	P2	P3
	8		8	0	0		2		0	2	0		2		2	0	0
7	0	TSIMINTIA S. (GEO)	P1	P2	P3	9	4	GEO	P1	P2	P3	9	4	GEO	P1	P2	P3
	0		0	0	0		10		10	0	0		10		10	0	0
8	0	DZIRKVDZE K. (GEO)	P1	P2	P3	10	0	GEO	P1	P2	P3	12	3	GEO	P1	P2	P3
	0		0	0	0		0		0	0	0		9		0	0	0
9	4	BERUASHVILI N. (GEO)	P1	P2	P3	12	3	GEO	P1	P2	P3	14	1	GEO	P1	P2	P3
	10		10	0	0		9		3	6	0		3		2	1	0
10	5	GABARASHVILI G. (GEO)	P1	P2	P3	14	1	GEO	P1	P2	P3	17	5	GEO	P1	P2	P3
	0		0	0	0		3		0	2	0		2		0	2	0
11	0	MAMIASHVILI N. (GEO)	P1	P2	P3	17	3	GEO	P1	P2	P3	17	3	GEO	P1	P2	P3
	0		0	0	0		7		4	3	0		7		4	3	0
12	5	MELADZE Lekso GORI (GEO)	P1	P2	P3	18	0	GEO	P1	P2	P3	17	0	GEO	P1	P2	P3
	8		4	4	0		1		1	0	0		1		1	0	0
13	0	DURGLISHVILI G. (GEO)	P1	P2	P3	20	1	GEO	P1	P2	P3	21	0	GEO	P1	P2	P3
	1		1	0	0		3		0	0	0		0		0	0	0
14	5	TULASHVILI T. (GEO)	P1	P2	P3	21	4	GEO	P1	P2	P3	23	4	GEO	P1	P2	P3
	7		7	0	0		14		5	9	0		10		4	6	0
15	0	MAISURADZE V. (GEO)	P1	P2	P3	23	4	GEO	P1	P2	P3	23	1	GEO	P1	P2	P3
	0		0	0	0		10		10	0	0		2		2	0	0
16	0	TSURTSUMIA M. (GEO)	P1	P2	P3	24	1	GEO	P1	P2	P3	25	3	GEO	P1	P2	P3
	0		0	0	0		4		0	4	0		5		3	2	0
17	5	GAZASHVILI O. (GEO)	P1	P2	P3	25	1	GEO	P1	P2	P3	26	0	GEO	P1	P2	P3
	0		0	0	0		5		0	0	0		0		0	0	0
18	4	CHKHITUNIDZE L. (GEO)	P1	P2	P3	26	3	GEO	P1	P2	P3	26	0	GEO	P1	P2	P3
	12		2	10	0		6		4	2	0		0		0	0	0
19	1	DURGARIANI A. (GEO)	P1	P2	P3	27	0	GEO	P1	P2	P3	27	0	GEO	P1	P2	P3
	1		1	0	0		0		0	0	0		0		0	0	0
20	1	QETSIAN Gor NNTSM (GEO)	P1	P2	P3	27	0	GEO	P1	P2	P3						
	3		1	2	0												
21	4	KHOJOIANI A. (GEO)	P1	P2	P3												
	14		5	9	0												
22	1	AFTSIAURI I. (GEO)	P1	P2	P3												
	2		0	2	0												
23	3	FUTKARADZE B. (GEO)	P1	P2	P3												
	6		4	2	0												
24	1	BERIDZE N. (GEO)	P1	P2	P3												
	4		0	4	0												
25	3	QITESASHVILI K. (GEO)	P1	P2	P3												
	7		2	5	0												
26	5	QOBULADZE D. (GEO)	P1	P2	P3												
	2		2	0	0												
27	0	GVIRJISHVILI Z. (GEO)	P1	P2	P3												
	0		0	0	0												

3 GEGELASHVILI G. (GEO)

Classement

Cl	Pays	Nom
1	GEO	GEGELASHVILI Giorgi GORI
2	GEO	GAZASHVILI Omari GORI
3	GEO	BERUASHVILI Nika RST
3	GEO	CHKHITUNIDZE Luka SCHKHR
5	GEO	BERUASHVILI Luka RST
5	GEO	FUTKARADZE Beqa AJR
7	GEO	MELADZE Lekso GORI
8	GEO	QOBULADZE Daviti BLNS
9	GEO	TULASHVILI Tornike SGRJ
10	GEO	GIGAURI Beqa QRL
11	GEO	GABARASHVILI Giorgi TBL
12	GEO	KHOJOIANI Aleko AJR
13	GEO	QITESASHVILI Kakha KVRL
14	GEO	BADIROVI Aidanezi TBL
15	GEO	BERIDZE Nugzari TBL
16	GEO	QETSIAN Gor NNTSM
17	GEO	AFTSIAURI Igori TBL
18	GEO	DURGARIANI Armani NNTSM
19	GEO	DURGLISHVILI Giorgi QRL
20	GEO	MAMIASHVILI Nugzari KHSR
21	GEO	GVIRJISHVILI Zaali GRDB
22	GEO	MAISURADZE Vladimeri TBL ORC
23	GEO	TSIMINTIA Shota TSLNJ
24	GEO	CHOKORAIA Aslani ZGDD
24	GEO	DZIRKVDZE Kakha OZR
24	GEO	TSURTSUMIA Merabi NNTS
27	GEO	QOBALIA Saba TSLNJ

REPECHAGE

REPECHAGE FINALISTE 1

4	0	GEO	P1	P2	P3	1	1	GEO	P1	P2	P3
	0		0	0	0		4		2	2	0
1	5	GEO	P1	P2	P3	9	3	GEO	P1	P2	P3
	5		5	0	0		8		2	6	0

9 BERUASHVILI N. (GEO)

Mdaille de Bronze

REPECHAGE FINALISTE 2

16	0	GEO	P1	P2	P3	18	3	GEO	P1	P2	P3
	0		0	0	0		1		1	0	0
18	4	GEO	P1	P2	P3	18	3	GEO	P1	P2	P3
	10		10	0	0		4		2	2	0
						12	1	GEO	P1	P2	P3
							1		1	0	0
						23	1	GEO	P1	P2	P3
							1		1	0	0

18 CHKHITUNIDZE L. (GEO)

Mdaille de Bronze

Classement**Georgian Championship in FS Style Cadet**

STYLE : FS 51 kg

UNITED WORLD
WRESTLING**1 - Or / Gold**

GEGELASHVILI Giorgi GORI

2 - Argent / Silver

GAZASHVILI Omari GORI

3 - Bronze

BERUASHVILI Nika RSTCHKHITUNIDZE Luka SCHKHR

<i>Classement</i>	<i>Nom - Name</i>	<i>Pays - Country</i>
1	GEGELASHVILI G.	GEO
2	GAZASHVILI O.	GEO
3	BERUASHVILI N.	GEO
3	CHKHITUNIDZE L.	GEO
5	BERUASHVILI L.	GEO
5	FUTKARADZE Beqa AJR	GEO
7	MELADZE Lekso GORI	GEO
8	QOBULADZE D.	GEO
9	TULASHVILI T.	GEO
10	GIGAURI Beqa QRL	GEO
11	GABARASHVILI G.	GEO
12	KHOJOIANI Aleko AJR	GEO
13	QITESASHVILI K.	GEO
14	BADIROVI A.	GEO
15	BERIDZE Nugzari TBL	GEO
16	QETSIAN Gor NNTSM	GEO
17	AFTSIAURI Igori TBL	GEO
18	DURGARIANI A.	GEO
19	DURGLISHVILI G.	GEO
20	MAMIASHVILI N.	GEO
21	GVIRJISHVILI Z.	GEO
22	MAISURADZE V.	GEO
23	TSIMINTIA S.	GEO
24	CHOKORAIA A.	GEO
24	DZIRKVDADZE K.	GEO
24	TSURTSUMIA M.	GEO
27	QOBALIA Saba TSLNJ	GEO



UNITED WORLD
WRESTLING

Feuille de compétition / Competition Sheet

Georgian Championship in FS Style Cadet

STYLE : FS 55 kg



QUALIFICATION				1/16 Finale				1/8 FINALE			
1	1	ABDALADZE D. (GEO)	P1 P2 P3 1 0 0	1	5	ABDALADZE D. (GEO)	P1 P2 P3 2 0 0	1	5	GEO	P1 P2 P3 10 0 0
			P1 P2 P3 1 0 0				P1 P2 P3 0 0 0				P1 P2 P3 0 0 0
2	1	MIDODASHVILI Z. (GEO)	P1 P2 P3 1 0 0	2	0	MIDODASHVILI Z. (GEO)	P1 P2 P3 0 0 0	2	0	GEO	P1 P2 P3 0 0 0
			P1 P2 P3 1 0 0				P1 P2 P3 0 0 0				P1 P2 P3 0 0 0
3	1	KABULASHVILI L. (GEO)	P1 P2 P3 1 0 0	3	0	KABULASHVILI L. (GEO)	P1 P2 P3 0 0 0	3	0	GEO	P1 P2 P3 0 0 0
			P1 P2 P3 1 0 0				P1 P2 P3 0 0 0				P1 P2 P3 0 0 0
4	1	MDINARADZE L. (GEO)	P1 P2 P3 1 0 0	4	5	MDINARADZE L. (GEO)	P1 P2 P3 0 0 0	4	0	GEO	P1 P2 P3 0 0 0
			P1 P2 P3 1 0 0				P1 P2 P3 0 0 0				P1 P2 P3 0 0 0
5	1	GOGRICHIANI N. (GEO)	P1 P2 P3 1 0 0	5	3	GOGRICHIANI N. (GEO)	P1 P2 P3 0 2 0	5	5	GEO	P1 P2 P3 3 0 0
			P1 P2 P3 1 0 0				P1 P2 P3 0 2 0				P1 P2 P3 3 0 0
6	1	PETRIASHVILI T. (GEO)	P1 P2 P3 1 0 0	6	1	PETRIASHVILI T. (GEO)	P1 P2 P3 1 0 0	6	1	GEO	P1 P2 P3 1 0 0
			P1 P2 P3 1 0 0				P1 P2 P3 1 0 0				P1 P2 P3 1 0 0
7	1	NASUASHVILI V. (GEO)	P1 P2 P3 1 0 0	7	3	NASUASHVILI V. (GEO)	P1 P2 P3 1 1 0	7	0	GEO	P1 P2 P3 0 0 0
			P1 P2 P3 1 0 0				P1 P2 P3 1 1 0				P1 P2 P3 0 0 0
8	1	TAMAZASHVILI Z. (GEO)	P1 P2 P3 1 0 0	8	0	TAMAZASHVILI Z. (GEO)	P1 P2 P3 0 0 0	8	0	GEO	P1 P2 P3 0 0 0
			P1 P2 P3 1 0 0				P1 P2 P3 0 0 0				P1 P2 P3 0 0 0
9	1	ONIANI G. (GEO)	P1 P2 P3 1 0 0	9	5	ONIANI G. (GEO)	P1 P2 P3 8 0 0	9	4	GEO	P1 P2 P3 9 2 0
			P1 P2 P3 1 0 0				P1 P2 P3 8 0 0				P1 P2 P3 9 2 0
10	1	LEZHAVA J. (GEO)	P1 P2 P3 1 0 0	10	0	LEZHAVA J. (GEO)	P1 P2 P3 0 0 0	10	0	GEO	P1 P2 P3 0 0 0
			P1 P2 P3 1 0 0				P1 P2 P3 0 0 0				P1 P2 P3 0 0 0
11	1	DAVIDADZE G. (GEO)	P1 P2 P3 1 0 0	11	1	DAVIDADZE G. (GEO)	P1 P2 P3 1 0 0	11	0	GEO	P1 P2 P3 0 0 0
			P1 P2 P3 1 0 0				P1 P2 P3 1 0 0				P1 P2 P3 0 0 0
12	1	CHAVCHAVADZE L. (GEO)	P1 P2 P3 1 0 0	12	4	CHAVCHAVADZE L. (GEO)	P1 P2 P3 12 0 0	12	0	GEO	P1 P2 P3 0 0 0
			P1 P2 P3 1 0 0				P1 P2 P3 12 0 0				P1 P2 P3 0 0 0
13	1	ZAUTASHVILI E. (GEO)	P1 P2 P3 1 0 0	13	1	ZAUTASHVILI E. (GEO)	P1 P2 P3 1 0 0	13	1	GEO	P1 P2 P3 0 2 0
			P1 P2 P3 1 0 0				P1 P2 P3 1 0 0				P1 P2 P3 0 2 0
14	1	SHEKLASHVILI K. (GEO)	P1 P2 P3 1 0 0	14	3	SHEKLASHVILI K. (GEO)	P1 P2 P3 10 2 0	14	3	GEO	P1 P2 P3 2 4 0
			P1 P2 P3 1 0 0				P1 P2 P3 10 2 0				P1 P2 P3 2 4 0
15	1	BUKHUTASHVILI I. (GEO)	P1 P2 P3 1 0 0	15	4	BUKHUTASHVILI I. (GEO)	P1 P2 P3 4 7 0	15	3	GEO	P1 P2 P3 4 3 0
			P1 P2 P3 1 0 0				P1 P2 P3 4 7 0				P1 P2 P3 4 3 0
16	1	SHARABIDZE L. (GEO)	P1 P2 P3 1 0 0	16	0	SHARABIDZE L. (GEO)	P1 P2 P3 0 0 0	16	0	GEO	P1 P2 P3 0 0 0
			P1 P2 P3 1 0 0				P1 P2 P3 0 0 0				P1 P2 P3 0 0 0
17	1	BEZHUASHVILI G. (GEO)	P1 P2 P3 1 0 0	17	0	BEZHUASHVILI G. (GEO)	P1 P2 P3 4 0 0	17	0	GEO	P1 P2 P3 0 0 0
			P1 P2 P3 1 0 0				P1 P2 P3 4 0 0				P1 P2 P3 0 0 0
18	1	BEKOSHVILI B. (GEO)	P1 P2 P3 1 0 0	18	5	BEKOSHVILI B. (GEO)	P1 P2 P3 6 0 0	18	3	GEO	P1 P2 P3 2 4 0
			P1 P2 P3 1 0 0				P1 P2 P3 6 0 0				P1 P2 P3 2 4 0
19	1	UGULAVA Giorgi TBL (GEO)	P1 P2 P3 1 0 0	19	0	UGULAVA Giorgi TBL (GEO)	P1 P2 P3 0 0 0	19	0	GEO	P1 P2 P3 0 0 0
			P1 P2 P3 1 0 0				P1 P2 P3 0 0 0				P1 P2 P3 0 0 0
20	1	TSKHOVREBADZE L. (GEO)	P1 P2 P3 1 0 0	20	4	TSKHOVREBADZE L. (GEO)	P1 P2 P3 10 0 0	20	1	GEO	P1 P2 P3 2 0 0
			P1 P2 P3 1 0 0				P1 P2 P3 10 0 0				P1 P2 P3 2 0 0
21	1	TOROSHELIDZE N. (GEO)	P1 P2 P3 1 0 0	21	1	TOROSHELIDZE N. (GEO)	P1 P2 P3 2 2 0	21	5	GEO	P1 P2 P3 4 4 0
			P1 P2 P3 1 0 0				P1 P2 P3 2 2 0				P1 P2 P3 4 4 0
22	1	MORTULADZE L. (GEO)	P1 P2 P3 1 0 0	22	4	MORTULADZE L. (GEO)	P1 P2 P3 4 10 0	22	4	GEO	P1 P2 P3 4 4 0
			P1 P2 P3 1 0 0				P1 P2 P3 4 10 0				P1 P2 P3 4 4 0
23	1	MDZINARASHVILI A. (GEO)	P1 P2 P3 1 0 0	23	5	MDZINARASHVILI A. (GEO)	P1 P2 P3 3 4 0	23	0	GEO	P1 P2 P3 4 0 0
			P1 P2 P3 1 0 0				P1 P2 P3 3 4 0				P1 P2 P3 4 0 0
24	1	SIRAKANYAN Z. (GEO)	P1 P2 P3 1 0 0	24	0	SIRAKANYAN Z. (GEO)	P1 P2 P3 2 0 0	24	0	GEO	P1 P2 P3 4 0 0
			P1 P2 P3 1 0 0				P1 P2 P3 2 0 0				P1 P2 P3 4 0 0
25	1	KVIRCHISHVILI S. (GEO)	P1 P2 P3 1 0 0	25	0	KVIRCHISHVILI S. (GEO)	P1 P2 P3 0 0 0	25	0	GEO	P1 P2 P3 0 0 0
			P1 P2 P3 1 0 0				P1 P2 P3 0 0 0				P1 P2 P3 0 0 0
26	4	ADEISHVILI O. (GEO)	P1 P2 P3 10 0 0	26	5	ADEISHVILI O. (GEO)	P1 P2 P3 1 7 0	26	0	GEO	P1 P2 P3 0 0 0
			P1 P2 P3 10 0 0				P1 P2 P3 1 7 0				P1 P2 P3 0 0 0
27	0	SILAGADZE G. (GEO)	P1 P2 P3 0 0 0	27	0	SILAGADZE G. (GEO)	P1 P2 P3 0 0 0	27	0	GEO	P1 P2 P3 0 0 0
			P1 P2 P3 0 0 0				P1 P2 P3 0 0 0				P1 P2 P3 0 0 0
28	0	SHAVADZE M. (GEO)	P1 P2 P3 0 0 0	28	3	AVALISHVILI B. (GEO)	P1 P2 P3 6 0 0	28	3	GEO	P1 P2 P3 8 2 0
			P1 P2 P3 0 0 0				P1 P2 P3 6 0 0				P1 P2 P3 8 2 0
29	5	AVALISHVILI B. (GEO)	P1 P2 P3 6 0 0	29	4	POGHOSYAN A. (GEO)	P1 P2 P3 0 0 0	29	4	GEO	P1 P2 P3 8 2 0
			P1 P2 P3 6 0 0				P1 P2 P3 0 0 0				P1 P2 P3 8 2 0
30	1	BERELIDZE V. (GEO)	P1 P2 P3 0 0 0	30	0	POGHOSYAN A. (GEO)	P1 P2 P3 0 0 0	30	0	GEO	P1 P2 P3 0 0 0
			P1 P2 P3 0 0 0				P1 P2 P3 0 0 0				P1 P2 P3 0 0 0
31	3	POGHOSYAN A. (GEO)	P1 P2 P3 0 3 0	31	0	VARDZIASHVILI R. (GEO)	P1 P2 P3 0 0 0	31	0	GEO	P1 P2 P3 0 0 0
			P1 P2 P3 0 3 0				P1 P2 P3 0 0 0				P1 P2 P3 0 0 0
32	0	ZANGALADZE V. (GEO)	P1 P2 P3 0 0 0	32	0	VARDZIASHVILI R. (GEO)	P1 P2 P3 0 0 0	32	0	GEO	P1 P2 P3 0 0 0
			P1 P2 P3 0 0 0				P1 P2 P3 0 0 0				P1 P2 P3 0 0 0
33	4	VARDZIASHVILI R. (GEO)	P1 P2 P3 10 0 0	33	0	KARCHKHADZE L. (GEO)	P1 P2 P3 14 2 0	33	5	GEO	P1 P2 P3 5 4 0
			P1 P2 P3 10 0 0				P1 P2 P3 14 2 0				P1 P2 P3 5 4 0
34	5	KARCHKHADZE L. (GEO)	P1 P2 P3 14 2 0	34	5	KARCHKHADZE L. (GEO)	P1 P2 P3 11 0 0	34	5	GEO	P1 P2 P3 5 4 0
			P1 P2 P3 14 2 0				P1 P2 P3 11 0 0				P1 P2 P3 5 4 0
35	0	BEQAURI Giorgi TBL (GEO)	P1 P2 P3 7 0 0	35	0	MAKHARADZE D. (GEO)	P1 P2 P3 0 0 0	35	0	GEO	P1 P2 P3 0 0 0
			P1 P2 P3 7 0 0				P1 P2 P3 0 0 0				P1 P2 P3 0 0 0
36	1	MODOSYAN Adam GORI (GEO)	P1 P2 P3 1 0 0	36	4	QURKHULI Gigi SGRJ (GEO)	P1 P2 P3 1 9 0	36	0	GEO	P1 P2 P3 0 8 0
			P1 P2 P3 1 0 0				P1 P2 P3 1 9 0				P1 P2 P3 0 8 0
37	3	QURKHULI Gigi SGRJ (GEO)	P1 P2 P3 0 2 0	37	4	MAKHARADZE D. (GEO)	P1 P2 P3 0 0 0	37	0	GEO	P1 P2 P3 0 8 0
			P1 P2 P3 0 2 0				P1 P2 P3 0 0 0				P1 P2 P3 0 8 0
38	0	PAPIDZE Luka SCHKH (GEO)	P1 P2 P3 0 0 0	38	0	MAKHARADZE D. (GEO)	P1 P2 P3 0 0 0	38	0	GEO	P1 P2 P3 0 8 0
			P1 P2 P3 0 0 0				P1 P2 P3 0 0 0				P1 P2 P3 0 8 0
39	4	MAKHARADZE D. (GEO)	P1 P2 P3 10 0 0	39	0	MAKHARADZE D. (GEO)	P1 P2 P3 0 0 0	39	0	GEO	P1 P2 P3 0 8 0
			P1 P2 P3 10 0 0				P1 P2 P3 0 0 0				P1 P2 P3 0 8 0



Feuille de compétition / Competition Sheet

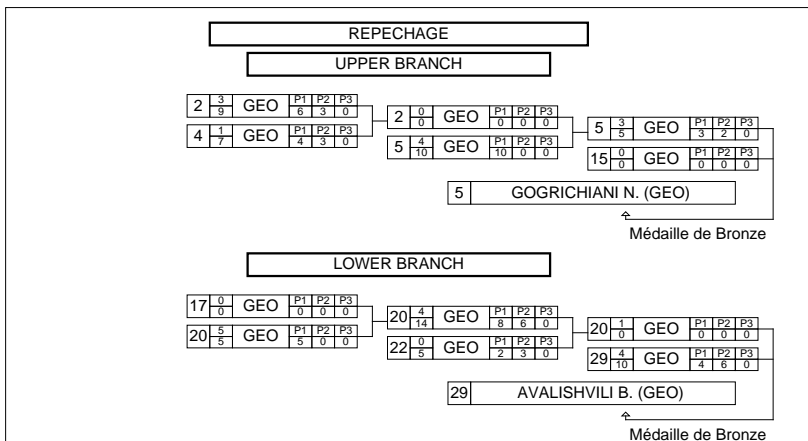
Georgian Championship in FS Style Cadet

STYLE : FS 55 kg



Classement

Cl	Pays	Nom
1	GEO	ABDALADZE Daviti KTS
2	GEO	BEKOSHVILI Beqa RST
3	GEO	GOGRICHIANI Nikoloz AMBRL
3	GEO	AVALISHVILI Bachuki BLNS
5	GEO	BUKHUTASHVILI Irakli KTS
5	GEO	TSKHOVREBADZE Levani GORI
7	GEO	KARCHKHADZE Luka AJR
8	GEO	ONIANI Goderdzi SMTR
9	GEO	ADEISHVILI Otari SMTR
10	GEO	MORTULADZE Leri AJR
11	GEO	QURKHULI Gigi SGRJ
12	GEO	MDINARADZE Lasha TBL
13	GEO	MDZINARASHVILI Avto GORI
14	GEO	CHAVCHAVADZE Leko QRL
15	GEO	MAKHARADZE Demetre LNCH
16	GEO	VARDZIASHVILI Rezo MTSKH
17	GEO	SHEKLASHVILI Khvicha TBL
18	GEO	MIDODASHVILI Zura GORI
19	GEO	POGHOSYAN Akop NNTSM
20	GEO	NASUASHVILI Vasilii GORI



Classement**Georgian Championship in FS Style Cadet**

STYLE : FS 55 kg

UNITED WORLD
WRESTLING**1 - Or / Gold**

ABDALADZE Daviti KTS

2 - Argent / Silver

BEKOSHVILI Beqa RST

3 - BronzeGOGRICHIANI Nikoloz AMBRI~~A~~VALISHVILI Bachuki BLNS

<i>Classement</i>	<i>Nom - Name</i>	<i>Pays - Country</i>
1	ABDALADZE D.	GEO
2	BEKOSHVILI Beqa RST	GEO
3	GOGRICHIANI N.	GEO
3	AVALISHVILI B.	GEO
5	BUKHUTASHVILI I.	GEO
5	TSKHOVREBADZE L.	GEO
7	KARCHKHADZE L.	GEO
8	ONIANI G.	GEO
9	ADEISHVILI O.	GEO
10	MORTULADZE Leri AJR	GEO
11	QURKHULI Gigi SGRJ	GEO
12	MDINARADZE L.	GEO
13	MDZINARASHVILI A.	GEO
14	CHAVCHAVADZE L.	GEO
15	MAKHARADZE D.	GEO
16	VARDZIASHVILI R.	GEO
17	SHEKLASHVILI K.	GEO
18	MIDODASHVILI Z.	GEO
19	POGHOSYAN A.	GEO
20	NASUASHVILI V.	GEO
21	TOROSHELIDZE N.	GEO
22	MODOSYAN Adam GORI	GEO
22	PETRIASHVILI T.	GEO
24	BERELIDZE Vazha RST	GEO
25	ZAUTASHVILI E.	GEO
25	DAVITADZE G.	GEO
27	BEQAURI Giorgi TBL	GEO
28	BEZHUASHVILI G.	GEO
29	SIRAKANYAN Z.	GEO
30	KABULASHVILI L.	GEO

Classement**Georgian Championship in FS Style Cadet**

STYLE : FS 55 kg



Classement	Nom - Name	Pays - Country
31	TAMAZASHVILI Z.	GEO
32	SHAVADZE M.	GEO
33	LEZHAVA Jumberi KTS	GEO
33	KVIRCHISHVILI S.	GEO
35	PAPIDZE Luka SCHKH	GEO
35	UGULAVA Giorgi TBL	GEO
35	SILAGADZE G.	GEO
35	ZANGALADZE V.	GEO
39	SHARABIDZE L.	GEO



Feuille de compétition / Competition Sheet

Georgian Championship in FS Style Cadet



STYLE : FS 60 kg

QUALIFICATION				1/16 Finale				1/8 FINALE			
1	4/10	GORGADZE M. (GEO)	P1 P2 P3 4 6 0	1	0/0	GORGADZE M. (GEO)	P1 P2 P3 0 0 0	2	4/12	GEO	P1 P2 P3 4 8 0
2	4/10	GAMKRELIDZE V. (GEO)	P1 P2 P3 4 6 0	2	4/10	GAMKRELIDZE V. (GEO)	P1 P2 P3 10 0 0	3	4/10	GEO	P1 P2 P3 4 8 0
3	4/10	MIDELASHVILI V. (GEO)	P1 P2 P3 4 6 0	3	0/3	MIDELASHVILI V. (GEO)	P1 P2 P3 3 0 0	4	1/1	GEO	P1 P2 P3 1 0 0
4	4/10	GURGENIDZE M. (GEO)	P1 P2 P3 4 6 0	4	5/3	GURGENIDZE M. (GEO)	P1 P2 P3 3 0 0	5	3/16	GEO	P1 P2 P3 7 3 0
5	4/10	NACHKEBIA G. (GEO)	P1 P2 P3 4 6 0	5	5/10	NACHKEBIA G. (GEO)	P1 P2 P3 10 0 0	6	0/4	GEO	P1 P2 P3 4 0 0
6	4/10	LOQAFIDZE N. (GEO)	P1 P2 P3 4 6 0	6	0/4	LOQAFIDZE N. (GEO)	P1 P2 P3 4 0 0	7	5/9	GEO	P1 P2 P3 7 2 0
7	4/10	IASHVILI B. (GEO)	P1 P2 P3 4 6 0	7	0/8	IASHVILI B. (GEO)	P1 P2 P3 8 0 0	8	4/10	GEO	P1 P2 P3 10 0 0
8	4/10	KURKUMULI Nika TBL (GEO)	P1 P2 P3 4 6 0	8	0/0	KURKUMULI Nika TBL (GEO)	P1 P2 P3 8 0 0	9	4/10	GEO	P1 P2 P3 10 0 0
9	4/10	MIDODASHVILI G. (GEO)	P1 P2 P3 4 6 0	9	4/10	MIDODASHVILI G. (GEO)	P1 P2 P3 6 4 0	10	0/0	GEO	P1 P2 P3 0 0 0
10	4/10	GELBAKHIANI N. (GEO)	P1 P2 P3 4 6 0	10	0/0	GELBAKHIANI N. (GEO)	P1 P2 P3 0 0 0	11	4/10	GEO	P1 P2 P3 4 6 0
11	4/10	FATSINASHVILI G. (GEO)	P1 P2 P3 4 6 0	11	0/0	FATSINASHVILI G. (GEO)	P1 P2 P3 0 0 0	12	3/6	GEO	P1 P2 P3 4 2 0
12	4/10	MDINARADZE L. (GEO)	P1 P2 P3 4 6 0	12	3/6	MDINARADZE L. (GEO)	P1 P2 P3 4 2 0	13	4/10	GEO	P1 P2 P3 10 0 0
13	4/10	KHACHIURI G. (GEO)	P1 P2 P3 4 6 0	13	4/10	KHACHIURI G. (GEO)	P1 P2 P3 10 0 0	14	0/0	GEO	P1 P2 P3 0 0 0
14	4/10	ZAUTASHVILI G. (GEO)	P1 P2 P3 4 6 0	14	0/0	ZAUTASHVILI G. (GEO)	P1 P2 P3 0 0 0	15	4/12	GEO	P1 P2 P3 6 6 0
15	4/10	SHONIA Leqso ZGDD (GEO)	P1 P2 P3 4 6 0	15	4/12	SHONIA Leqso ZGDD (GEO)	P1 P2 P3 6 6 0	16	1/1	GEO	P1 P2 P3 1 0 0
16	4/10	GELASHVILI Z. (GEO)	P1 P2 P3 4 6 0	16	1/1	GELASHVILI Z. (GEO)	P1 P2 P3 1 0 0	17	3/11	GEO	P1 P2 P3 11 0 0
17	4/10	QVLIVIDZE B. (GEO)	P1 P2 P3 4 6 0	17	3/11	QVLIVIDZE B. (GEO)	P1 P2 P3 11 0 0	18	0/4	GEO	P1 P2 P3 4 0 0
18	0/4	TLASHADZE L. (GEO)	P1 P2 P3 4 0 0	18	1/1	TLASHADZE L. (GEO)	P1 P2 P3 0 1 0	19	1/12	GEO	P1 P2 P3 6 6 0
19	5/12	SHONIA Giorgi TBL (GEO)	P1 P2 P3 8 4 0	19	1/1	SHONIA Giorgi TBL (GEO)	P1 P2 P3 0 1 0	20	1/2	GEO	P1 P2 P3 2 0 0
20	1/2	ARCHUADZE G. (GEO)	P1 P2 P3 2 0 0	20	5/8	ARCHUADZE G. (GEO)	P1 P2 P3 4 4 0	21	3/8	GEO	P1 P2 P3 2 4 0
21	3/8	TSATAVA Z. (GEO)	P1 P2 P3 2 4 0	21	3/8	TSATAVA Z. (GEO)	P1 P2 P3 2 4 0	22	0/0	GEO	P1 P2 P3 0 0 0
22	3/10	MUKBANYAN I. (GEO)	P1 P2 P3 6 4 0	22	0/0	MUKBANYAN I. (GEO)	P1 P2 P3 0 0 0	23	1/8	GEO	P1 P2 P3 2 4 0
23	1/8	GADELIA Saba FOTI (GEO)	P1 P2 P3 2 4 0	23	1/8	GADELIA Saba FOTI (GEO)	P1 P2 P3 2 4 0	24	0/0	GEO	P1 P2 P3 0 0 0
24	0/0	NONIASHVILI A. (GEO)	P1 P2 P3 0 0 0	24	4/10	NONIASHVILI A. (GEO)	P1 P2 P3 2 8 0	25	4/10	GEO	P1 P2 P3 10 0 0
25	4/10	QAQALASHVILI D. (GEO)	P1 P2 P3 10 0 0	25	4/10	QAQALASHVILI D. (GEO)	P1 P2 P3 2 8 0	26	3/10	GEO	P1 P2 P3 6 4 0
26	3/10	SKHIRTADZE G. (GEO)	P1 P2 P3 6 4 0	26	1/2	SKHIRTADZE G. (GEO)	P1 P2 P3 2 0 0	27	1/3	GEO	P1 P2 P3 0 3 0
27	1/3	TOROSHOLIDZE G. (GEO)	P1 P2 P3 0 3 0	27	1/3	TOROSHOLIDZE G. (GEO)	P1 P2 P3 0 3 0	28	0/3	GEO	P1 P2 P3 2 1 0
28	0/3	KOBAKHIDZE G. (GEO)	P1 P2 P3 2 1 0	28	0/3	KOBAKHIDZE G. (GEO)	P1 P2 P3 2 1 0	29	1/1	GEO	P1 P2 P3 1 0 0
29	5/11	MAMANISHVILI D. (GEO)	P1 P2 P3 4 7 0	29	1/1	MAMANISHVILI D. (GEO)	P1 P2 P3 1 0 0	30	0/0	GEO	P1 P2 P3 0 0 0
30	4/10	GAGUA Luka TBL (GEO)	P1 P2 P3 10 0 0	30	3/8	GAGUA Luka TBL (GEO)	P1 P2 P3 8 0 0	31	0/0	GEO	P1 P2 P3 0 0 0
31	0/0	SHAVADZE Dato OZRG (GEO)	P1 P2 P3 0 0 0	31	0/0	SHAVADZE Dato OZRG (GEO)	P1 P2 P3 0 0 0	32	4/12	GEO	P1 P2 P3 8 4 0
32	4/12	ZALKALYAN G. (GEO)	P1 P2 P3 8 4 0	32	5/12	ZALKALYAN G. (GEO)	P1 P2 P3 12 0 0	33	1/2	GEO	P1 P2 P3 2 0 0
33	1/2	INAISHVILI N. (GEO)	P1 P2 P3 2 0 0	33	1/2	INAISHVILI N. (GEO)	P1 P2 P3 2 0 0	34	3/11	GEO	P1 P2 P3 5 6 0
34	3/11	ABUSERIDZE Z. (GEO)	P1 P2 P3 5 6 0	34	0/0	ABUSERIDZE Z. (GEO)	P1 P2 P3 0 0 0	35	1/7	GEO	P1 P2 P3 3 4 0
35	1/7	SLOYAN Sabri TBL (GEO)	P1 P2 P3 3 4 0	35	1/7	SLOYAN Sabri TBL (GEO)	P1 P2 P3 3 4 0	36	4/10	GEO	P1 P2 P3 10 0 0
36	4/10	KARELIDZE S. (GEO)	P1 P2 P3 10 0 0	36	4/10	KARELIDZE S. (GEO)	P1 P2 P3 1 9 0	37	0/0	GEO	P1 P2 P3 0 0 0
37	0/0	GABRELIAN V. (GEO)	P1 P2 P3 0 0 0	37	0/0	GABRELIAN V. (GEO)	P1 P2 P3 0 0 0	38	4/12	GEO	P1 P2 P3 4 8 0
38	4/12	TABATADZE Luka TBL (GEO)	P1 P2 P3 6 8 0	38	0/0	TABATADZE Luka TBL (GEO)	P1 P2 P3 0 0 0	39	1/1	GEO	P1 P2 P3 1 0 0
39	1/1	TERASHVILI T. (GEO)	P1 P2 P3 1 0 0	39	1/1	TERASHVILI T. (GEO)	P1 P2 P3 1 0 0	40	4/11	GEO	P1 P2 P3 11 0 0
40	4/11	BOLQVADZE G. (GEO)	P1 P2 P3 11 0 0	40	3/8	BOLQVADZE G. (GEO)	P1 P2 P3 6 2 0	41	0/0	GEO	P1 P2 P3 0 0 0
41	0/0	MINDIASHVILI B. (GEO)	P1 P2 P3 0 0 0	41	0/0	MINDIASHVILI B. (GEO)	P1 P2 P3 0 0 0	42	0/0	GEO	P1 P2 P3 0 0 0
42	0/0	KORTI Zoro TBL (GEO)	P1 P2 P3 0 0 0	42	1/5	KORTI Zoro TBL (GEO)	P1 P2 P3 4 1 0	43	4/10	GEO	P1 P2 P3 6 4 0
43	4/10	SEFASHVILI B. (GEO)	P1 P2 P3 6 4 0	43	1/5	SEFASHVILI B. (GEO)	P1 P2 P3 4 1 0	44	0/0	GEO	P1 P2 P3 0 0 0
44	0/0	QVRIVISHVILI S. (GEO)	P1 P2 P3 0 0 0	44	0/0	QVRIVISHVILI S. (GEO)	P1 P2 P3 0 0 0	45	3/7	GEO	P1 P2 P3 1 6 0
45	3/7	QVLIVIDZE F. (GEO)	P1 P2 P3 1 6 0	45	4/12	QVLIVIDZE F. (GEO)	P1 P2 P3 9 3 0	46	5/8	GEO	P1 P2 P3 6 1 0
46	5/8	IADZE Koba TBL (GEO)	P1 P2 P3 6 1 0	46	1/4	IADZE Koba TBL (GEO)	P1 P2 P3 4 0 0	47	0/0	GEO	P1 P2 P3 0 0 0
47	0/0	GULITASHVILI G. (GEO)	P1 P2 P3 0 0 0	47	0/0	GULITASHVILI G. (GEO)	P1 P2 P3 0 0 0				



Feuille de compétition / Competition Sheet

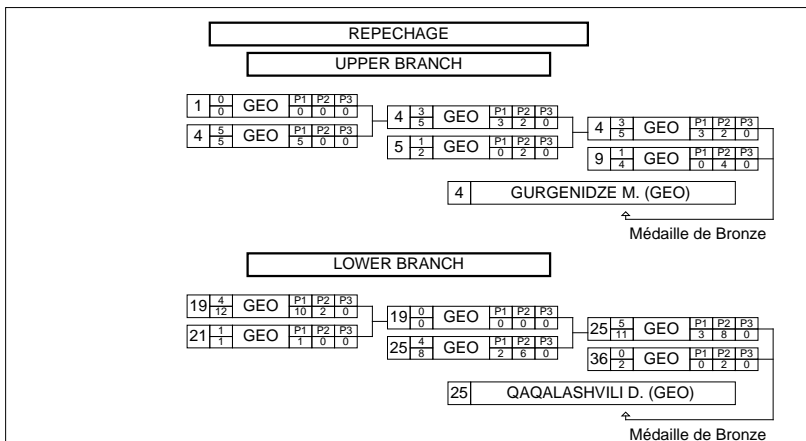
Georgian Championship in FS Style Cadet

STYLE : FS 60 kg



Classement

Cl	Pays	Nom
1	GEO	GAMKRELIDZE Vladimeri AMBRL
2	GEO	QVLIVIDZE Bacho SGRJ
3	GEO	GURGENIDZE Mamuli AJR
3	GEO	QAQALASHVILI Dati KVRL
5	GEO	KARELIDZE Sergo GORI
5	GEO	MIDODASHVILI Giorgi GORI
7	GEO	QVLIVIDZE Firuzi SGRJ
8	GEO	ZALKALYAN Giorgi AMBRL
9	GEO	SHONIA Giorgi TBL
10	GEO	TSATAVA Zviad TBL ORC
11	GEO	KHACHIURI Giorgi GORI
12	GEO	NACHKEBIA Giorgi ZGDD
13	GEO	GAGUA Luka TBL
14	GEO	BOLQVADZE Giorgi TBL
15	GEO	MAMANISHVILI Daviti KVRL
16	GEO	IADZE Koba TBL
17	GEO	IASHVILI Beqa AMBRL
18	GEO	SEFASHVILI Besiki KVRL
19	GEO	SHONIA Leqso ZGDD
20	GEO	TABATADZE Luka TBL



Classement**Georgian Championship in FS Style Cadet**

STYLE : FS 60 kg

UNITED WORLD
WRESTLING**1 - Or / Gold**

GAMKRELIDZE Vladimeri AMBRL

2 - Argent / Silver

QVLIVIDZE Bacho SGRJ

3 - Bronze

GURGENIDZE Mamuli AJR QAQALASHVILI Dati KVRL

<i>Classement</i>	<i>Nom - Name</i>	<i>Pays - Country</i>
1	GAMKRELIDZE V.	GEO
2	QVLIVIDZE B.	GEO
3	GURGENIDZE M.	GEO
3	QAQALASHVILI D.	GEO
5	KARELIDZE S.	GEO
5	MIDODASHVILI G.	GEO
7	QVLIVIDZE F.	GEO
8	ZALKALYAN G.	GEO
9	SHONIA Giorgi TBL	GEO
10	TSATAVA Z.	GEO
11	KHACHIURI G.	GEO
12	NACHKEBIA G.	GEO
13	GAGUA Luka TBL	GEO
14	BOLQVADZE G.	GEO
15	MAMANISHVILI D.	GEO
16	IADZE Koba TBL	GEO
17	IASHVILI Beqa AMBRL	GEO
18	SEFASHVILI B.	GEO
19	SHONIA Leqso ZGDD	GEO
20	TABATADZE Luka TBL	GEO
21	SKHIRTLADZE G.	GEO
22	ABUSERIDZE Z.	GEO
23	MUKBANYAN I.	GEO
24	MDINARADZE Luka TBL	GEO
25	SLOYAN Sabri TBL	GEO
26	GADELIA Saba FOTI	GEO
27	TOROSHELIDZE G.	GEO
28	ARCHUADZE G.	GEO
29	INAISHVILI Nika AJR	GEO
30	GELASHVILI Z.	GEO

Classement**Georgian Championship in FS Style Cadet**

STYLE : FS 60 kg

UNITED WORLD
WRESTLING

Classement	Nom - Name	Pays - Country
30	TERASHVILI T.	GEO
32	KURKUMULI Nika TBL	GEO
33	LOQAFIDZE Nika GORI	GEO
34	TLASHADZE L.	GEO
35	MIDELASHVILI V.	GEO
36	KOBAKHIDZE G.	GEO
37	FATSINASHVILI G.	GEO
37	GULITASHVILI G.	GEO
39	QVRIVISHVILI S.	GEO
40	ZAUTASHVILI G.	GEO
40	KORTI Zoro TBL	GEO
40	GELBAKHIANI N.	GEO
40	GABRELIAN V.	GEO
40	SHAVADZE Dato OZRG	GEO
40	NONIASHVILI A.	GEO
46	MINDIASHVILI B.	GEO
47	GORGADZE M.	GEO



UNITED WORLD
WRESTLING

Feuille de compétition / Competition Sheet

Georgian Championship in FS Style Cadet

STYLE : FS 65 kg



QUALIFICATION				1/16 Finale				1/8 FINALE				
1	0/2	GOGIBERIDZE K. (GEO)	P1 P2 P3 0 2 0	1	1/1	GOGIBERIDZE K. (GEO)	P1 P2 P3 1 0 0	2	4/10	GEO	P1 P2 P3 10 0 0	
2	0/2	MARIAMIDZE L. (GEO)	P1 P2 P3 0 2 0	2	4/12	MARIAMIDZE L. (GEO)	P1 P2 P3 0 12 0	3	0/0	GEO	P1 P2 P3 0 0 0	
3	0/2	SHAQARISHVILI S. (GEO)	P1 P2 P3 0 2 0	3	4/10	SHAQARISHVILI S. (GEO)	P1 P2 P3 10 0 0	4	0/0	GEO	P1 P2 P3 0 0 0	
4	0/2	KUTALADZE M. (GEO)	P1 P2 P3 0 2 0	4	0/0	KUTALADZE M. (GEO)	P1 P2 P3 0 0 0	5	0/2	GEO	P1 P2 P3 2 0 0	
5	0/2	KHETSURYAN L. (GEO)	P1 P2 P3 0 2 0	5	0/2	KHETSURYAN L. (GEO)	P1 P2 P3 2 0 0	6	1/2	GEO	P1 P2 P3 2 0 0	
6	0/2	CHAVCHAVADZE S. (GEO)	P1 P2 P3 0 2 0	6	5/2	CHAVCHAVADZE S. (GEO)	P1 P2 P3 2 0 0	7	3/7	GEO	P1 P2 P3 1 8 0	
7	0/2	GERLIANI G. (GEO)	P1 P2 P3 0 2 0	7	3/6	GERLIANI G. (GEO)	P1 P2 P3 4 2 0	8	1/2	GEO	P1 P2 P3 2 0 0	
8	0/2	QATSANASHVILI L. (GEO)	P1 P2 P3 0 2 0	8	1/2	QATSANASHVILI L. (GEO)	P1 P2 P3 2 0 0	9	3/4	GEO	P1 P2 P3 0 4 0	
9	0/2	KHOSROSHVILI B. (GEO)	P1 P2 P3 0 2 0	9	3/4	KHOSROSHVILI B. (GEO)	P1 P2 P3 0 4 0	10	1/1	GEO	P1 P2 P3 1 0 0	
10	0/2	AMBROSISHVILI S. (GEO)	P1 P2 P3 0 2 0	10	1/1	AMBROSISHVILI S. (GEO)	P1 P2 P3 1 0 0	11	4/10	GEO	P1 P2 P3 10 0 0	
11	0/2	MIDELASHVILI T. (GEO)	P1 P2 P3 0 2 0	11	4/10	MIDELASHVILI T. (GEO)	P1 P2 P3 10 0 0	12	0/0	GEO	P1 P2 P3 0 0 0	
12	0/2	KVELASHVILI T. (GEO)	P1 P2 P3 0 2 0	12	0/0	KVELASHVILI T. (GEO)	P1 P2 P3 0 0 0	13	1/3	TARUASHVILI L. (GEO)	P1 P2 P3 3 0 0	
13	1/3	TARUASHVILI L. (GEO)	P1 P2 P3 3 0 0	14	0/0	MZHAVANADZE D. (GEO)	P1 P2 P3 0 0 0	14	4/16	MZHAVANADZE D. (GEO)	P1 P2 P3 8 8 0	
14	4/16	MZHAVANADZE D. (GEO)	P1 P2 P3 8 8 0	15	5/2	TKEMALADZE T. (GEO)	P1 P2 P3 2 0 0	15	0/0	GEO	P1 P2 P3 0 0 0	
15	4/10	TKEMALADZE T. (GEO)	P1 P2 P3 10 0 0	16	0/0	GILIGASHVILI G. (GEO)	P1 P2 P3 0 0 0	16	1/2	GEO	P1 P2 P3 1 0 0	
16	0/0	GILIGASHVILI G. (GEO)	P1 P2 P3 0 0 0	17	1/2	BADRIASHVILI G. (GEO)	P1 P2 P3 0 2 0	17	3/10	GELASHVILI G. (GEO)	P1 P2 P3 2 8 0	
17	1/2	BADRIASHVILI G. (GEO)	P1 P2 P3 0 2 0	18	4/10	GELASHVILI G. (GEO)	P1 P2 P3 10 0 0	18	3/4	TVALIAHVILI T. (GEO)	P1 P2 P3 2 2 0	
18	3/10	GELASHVILI G. (GEO)	P1 P2 P3 2 8 0	19	0/0	TVALIAHVILI T. (GEO)	P1 P2 P3 0 0 0	19	1/2	QARQISHVILI G. (GEO)	P1 P2 P3 2 0 0	
19	3/4	TVALIAHVILI T. (GEO)	P1 P2 P3 2 2 0	20	1/2	QARQISHVILI G. (GEO)	P1 P2 P3 2 0 0	20	3/11	TATULASHVILI Z. (GEO)	P1 P2 P3 4 7 0	
20	1/2	QARQISHVILI G. (GEO)	P1 P2 P3 2 0 0	21	5/5	TATULASHVILI Z. (GEO)	P1 P2 P3 3 2 0	21	1/5	GOGOLADZE Saba RST (GEO)	P1 P2 P3 2 3 0	
21	3/11	TATULASHVILI Z. (GEO)	P1 P2 P3 4 7 0	22	0/0	DEVIRISASHVILI M. (GEO)	P1 P2 P3 0 0 0	22	0/0	GRIGOLIA Onise TBL (GEO)	P1 P2 P3 0 0 0	
22	1/5	GOGOLADZE Saba RST (GEO)	P1 P2 P3 2 3 0	23	0/0	GRIGOLIA Onise TBL (GEO)	P1 P2 P3 0 0 0	23	5/0	DEVIRISASHVILI M. (GEO)	P1 P2 P3 0 0 0	
23	0/0	GRIGOLIA Onise TBL (GEO)	P1 P2 P3 0 0 0	24	3/8	IOBADZE T. (GEO)	P1 P2 P3 2 8 0	24	1/2	EBILASHVILI G. (GEO)	P1 P2 P3 0 2 0	
24	5/0	DEVIRISASHVILI M. (GEO)	P1 P2 P3 0 0 0	25	1/2	EBILASHVILI G. (GEO)	P1 P2 P3 0 2 0	25	1/4	KHUTSISHVILI M. (GEO)	P1 P2 P3 2 2 0	
25	3/8	IOBADZE T. (GEO)	P1 P2 P3 2 8 0	26	1/2	EBILASHVILI G. (GEO)	P1 P2 P3 0 2 0	26	3/7	JANEZASHVILI L. (GEO)	P1 P2 P3 4 3 0	
26	1/2	EBILASHVILI G. (GEO)	P1 P2 P3 0 2 0	27	1/4	KHUTSISHVILI M. (GEO)	P1 P2 P3 2 2 0	27	1/6	GAGUA Vato AMBRL (GEO)	P1 P2 P3 2 4 0	
27	1/4	KHUTSISHVILI M. (GEO)	P1 P2 P3 2 2 0	28	3/7	JANEZASHVILI L. (GEO)	P1 P2 P3 4 3 0	28	3/8	DOLIDZE Iliia AJR (GEO)	P1 P2 P3 1 7 0	
28	3/7	JANEZASHVILI L. (GEO)	P1 P2 P3 4 3 0	29	1/6	GAGUA Vato AMBRL (GEO)	P1 P2 P3 2 4 0	29	4/10	MAKHARADZE D. (GEO)	P1 P2 P3 10 0 0	
29	1/6	GAGUA Vato AMBRL (GEO)	P1 P2 P3 2 4 0	30	0/0	DOLIDZE Iliia AJR (GEO)	P1 P2 P3 0 0 0	30	0/0	ALIEV Vasef BLNS (GEO)	P1 P2 P3 0 0 0	
30	3/8	DOLIDZE Iliia AJR (GEO)	P1 P2 P3 1 7 0	31	5/6	MAKHARADZE D. (GEO)	P1 P2 P3 6 0 0	31	4/10	OGANEZOV Erik TBL (GEO)	P1 P2 P3 0 0 0	
31	4/10	MAKHARADZE D. (GEO)	P1 P2 P3 10 0 0	32	0/0	ALIEV Vasef BLNS (GEO)	P1 P2 P3 0 0 0	32	1/4	JINCHARADZE S. (GEO)	P1 P2 P3 0 4 0	
32	0/0	ALIEV Vasef BLNS (GEO)	P1 P2 P3 0 0 0	33	0/0	OGANEZOV Erik TBL (GEO)	P1 P2 P3 0 0 0	33	3/13	POPIASHVILI G. (GEO)	P1 P2 P3 1 12 0	
33	0/0	OGANEZOV Erik TBL (GEO)	P1 P2 P3 0 0 0	34	1/4	JINCHARADZE S. (GEO)	P1 P2 P3 0 4 0	34	1/10	PETRIASHVILI V. (GEO)	P1 P2 P3 1 4 0	
34	4/10	JINCHARADZE S. (GEO)	P1 P2 P3 10 0 0	35	3/10	POPIASHVILI G. (GEO)	P1 P2 P3 4 6 0	35	3/5	LOBJANIDZE T. (GEO)	P1 P2 P3 4 1 0	
35	3/13	POPIASHVILI G. (GEO)	P1 P2 P3 1 12 0	36	1/5	PETRIASHVILI V. (GEO)	P1 P2 P3 1 4 0	36	0/0	GOGUADZE T. (GEO)	P1 P2 P3 0 0 0	
36	1/5	PETRIASHVILI V. (GEO)	P1 P2 P3 1 4 0	37	3/5	LOBJANIDZE T. (GEO)	P1 P2 P3 4 1 0	37	4/13	FATSINASHVILI D. (GEO)	P1 P2 P3 13 0 0	
37	3/5	LOBJANIDZE T. (GEO)	P1 P2 P3 4 1 0	38	0/0	GOGUADZE T. (GEO)	P1 P2 P3 0 0 0	38	4/12	FATSINASHVILI D. (GEO)	P1 P2 P3 12 0 0	
38	0/0	GOGUADZE T. (GEO)	P1 P2 P3 0 0 0	39	1/1	LOBJANIDZE T. (GEO)	P1 P2 P3 1 0 0	39	0/0	MELADZE N. (GEO)	P1 P2 P3 0 0 0	
39	4/13	FATSINASHVILI D. (GEO)	P1 P2 P3 13 0 0	40	0/0	MELADZE N. (GEO)	P1 P2 P3 0 0 0	40	1/6	MOSOYAN Z. (GEO)	P1 P2 P3 1 5 0	
40	0/0	MELADZE N. (GEO)	P1 P2 P3 0 0 0	41	1/6	MOSOYAN Z. (GEO)	P1 P2 P3 1 5 0	41	3/7	BURDULI N. (GEO)	P1 P2 P3 5 2 0	
41	1/6	MOSOYAN Z. (GEO)	P1 P2 P3 1 5 0	42	3/7	BURDULI N. (GEO)	P1 P2 P3 5 2 0	42	0/0	UCHIDZE Luka AKHL (GEO)	P1 P2 P3 0 0 0	
42	3/7	BURDULI N. (GEO)	P1 P2 P3 5 2 0	43	0/0	UCHIDZE Luka AKHL (GEO)	P1 P2 P3 0 0 0	43	5/0	MAISURADZE D. (GEO)	P1 P2 P3 0 0 0	
43	0/0	UCHIDZE Luka AKHL (GEO)	P1 P2 P3 0 0 0	44	5/0	MAISURADZE D. (GEO)	P1 P2 P3 0 0 0	44	4/10	KHATIASHVILI V. (GEO)	P1 P2 P3 10 0 0	
44	4/10	MAISURADZE D. (GEO)	P1 P2 P3 10 0 0	45	4/10	KHATIASHVILI V. (GEO)	P1 P2 P3 10 0 0	45	1/2	KHACHIDZE L. (GEO)	P1 P2 P3 0 0 0	
45	4/10	KHATIASHVILI V. (GEO)	P1 P2 P3 10 0 0	46	0/0	KHACHIDZE L. (GEO)	P1 P2 P3 0 0 0	46	1/2	ZEDGENIDZE G. (GEO)	P1 P2 P3 2 0 0	
46	0/0	KHACHIDZE L. (GEO)	P1 P2 P3 0 0 0	47	1/2	ZEDGENIDZE G. (GEO)	P1 P2 P3 2 0 0	47	4/13	BENDIANISHVILI G. (GEO)	P1 P2 P3 1 12 0	
47	1/2	ZEDGENIDZE G. (GEO)	P1 P2 P3 2 0 0	48	4/13	BENDIANISHVILI G. (GEO)	P1 P2 P3 1 12 0	48	3/4	SAMKHARADZE T. (GEO)	P1 P2 P3 4 2 0	
48	4/13	BENDIANISHVILI G. (GEO)	P1 P2 P3 1 12 0	49	3/6	SAMKHARADZE T. (GEO)	P1 P2 P3 4 2 0	49	3/11	TAVKELISHVILI V. (GEO)	P1 P2 P3 2 0 0	
49	3/6	SAMKHARADZE T. (GEO)	P1 P2 P3 4 2 0	50	1/2	TAVKELISHVILI V. (GEO)	P1 P2 P3 2 0 0	50	1/2	CHITADZE Akaki RST (GEO)	P1 P2 P3 4 0 0	
50	1/2	TAVKELISHVILI V. (GEO)	P1 P2 P3 2 0 0	51	5/4	CHITADZE Akaki RST (GEO)	P1 P2 P3 4 0 0	51	1/4	UMEKASHVILI L. (GEO)	P1 P2 P3 0 0 0	
51	5/4	CHITADZE Akaki RST (GEO)	P1 P2 P3 4 0 0	52	0/0	UMEKASHVILI L. (GEO)	P1 P2 P3 0 0 0	52	0/0			



Feuille de compétition / Competition Sheet

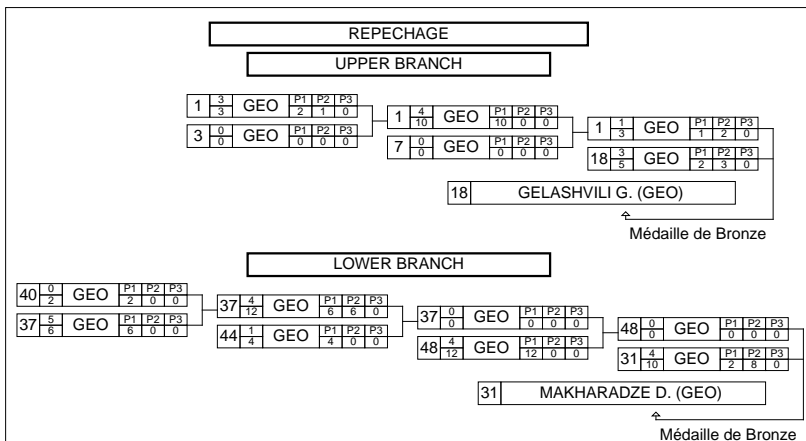
Georgian Championship in FS Style Cadet

STYLE : FS 65 kg



Classement

Cl	Pays	Nom
1	GEO	MARIAMIDZE Luka TBL ORC
2	GEO	FATSINASHVILI Davit GORI
3	GEO	GELASHVILI Giorgi KHSR
3	GEO	MAKHARADZE Diego AJR
5	GEO	GOGIBERIDZE Koba SMTR
5	GEO	BENDIANISHVILI Giorgi ONI
7	GEO	LOBJANIDZE Tornike GRDB
8	GEO	TATULASHVILI Zaza TBL
9	GEO	MAISURADZE David GORI
10	GEO	TKEMALADZE Temuri QRL
11	GEO	JANEZASHVILI Luka GORI
12	GEO	MIDELASHVILI Tarieli KSP
13	GEO	SAMKHARADZE Tornike ONI
14	GEO	CHITADZE Akaki RST
15	GEO	CHAVCHAVADZE Saba QRL
16	GEO	POPIASHVILI Giorgi TBL
17	GEO	GERLIANI Giorgi TBL
18	GEO	JINCHARADZE Saba AMBRL
19	GEO	KHATIASHVILI Vasili KVRL
20	GEO	DEVIRISASHVILI Mikheil BLNS



Classement**Georgian Championship in FS Style Cadet**

STYLE : FS 65 kg

**1 - Or / Gold**

MARIAMIDZE Luka TBL ORC

2 - Argent / Silver

FATSINASHVILI Daviti GORI

3 - Bronze

GELASHVILI Giorgi KHSR MAKHARADZE Diego AJR

<i>Classement</i>	<i>Nom - Name</i>	<i>Pays - Country</i>
1	MARIAMIDZE L.	GEO
2	FATSINASHVILI D.	GEO
3	GELASHVILI G.	GEO
3	MAKHARADZE D.	GEO
5	GOGIBERIDZE K.	GEO
5	BENDIANISHVILI G.	GEO
7	LOBJANIDZE T.	GEO
8	TATULASHVILI Z.	GEO
9	MAISURADZE D.	GEO
10	TKEMALADZE T.	GEO
11	JANEZASHVILI L.	GEO
12	MIDELASHVILI T.	GEO
13	SAMKHARADZE T.	GEO
14	CHITADZE Akaki RST	GEO
15	CHAVCHAVADZE S.	GEO
16	POPIASHVILI G.	GEO
17	GERLIANI Giorgi TBL	GEO
18	JINCHARADZE S.	GEO
19	KHATIASHVILI V.	GEO
20	DEVRIASHVILI M.	GEO
21	MZHAVANADZE D.	GEO
22	SHAQARISHVILI S.	GEO
23	IOBADZE T.	GEO
24	DOLIDZE Iliia AJR	GEO
25	BURDULI Nikoloz TBL	GEO
26	KHOSROSHVILI B.	GEO
27	TVALIAHSHVILI T.	GEO
28	MOSOYAN Zhora AKHLK	GEO
29	GAGUA Vato AMBRL	GEO
30	GOGOLADZE Saba RST	GEO

Classement**Georgian Championship in FS Style Cadet**

STYLE : FS 65 kg

UNITED WORLD
WRESTLING

Classement	Nom - Name	Pays - Country
31	PETRIASHVILI V.	GEO
32	KHUTSISHVILI M.	GEO
33	TARUASHVILI L.	GEO
34	QARQISHVILI G.	GEO
35	TAVKELISHVILI V.	GEO
35	QATSANASHVILI L.	GEO
37	EBILASHVILI G.	GEO
38	BADRIASHVILI G.	GEO
39	ZEDGENIDZE G.	GEO
40	AMBROSISHVILI S.	GEO
41	KHETSURYAN L.	GEO
42	MELADZE N.	GEO
43	GRIGOLIA Onise TBL	GEO
44	UMEKASHVILI L.	GEO
45	GOGUADZE Temuri AJR	GEO
46	KVELASHVILI T.	GEO
46	KUTALADZE M.	GEO
46	KHACHIDZE L.	GEO
46	UCHIDZE Luka AKHL	GEO
46	OGANEZOV Erik TBL	GEO
46	ALIEV Vasef BLNS	GEO
46	GILIGASHVILI G.	GEO



Feuille de compétition / Competition Sheet

Georgian Championship in FS Style Cadet



STYLE : FS 71 kg

1/16 Finale			1/8 FINALE			1/4 FINALE			1/2 FINALE			FINALE					
1	0	ORMOTSADZE S. (GEO)	P1	P2	P3	2	4	GEO	P1	P2	P3	2	4	GEO	P1	P2	P3
0	0		0	0	0	12	0		12	0	0	10	0		10	0	0
2	4	GAGNIDZE B. (GEO)	P1	P2	P3	4	0	GEO	P1	P2	P3	2	5	GEO	P1	P2	P3
10	0		10	0	0	0	0		0	0	0	10	6		10	6	0
3	1	GRIGOLIA Onise TBL (GEO)	P1	P2	P3	5	4	GEO	P1	P2	P3	5	0	GEO	P1	P2	P3
8	4		4	4	0	10	5		10	5	0	0	0		0	0	0
4	3	SULEIMANISHVILI M. (GEO)	P1	P2	P3	7	0	GEO	P1	P2	P3	5	0	GEO	P1	P2	P3
8	2		2	6	0	0	0		0	0	0	0	0		0	0	0
5	4	KHUTCHUA Luka SMTR (GEO)	P1	P2	P3	10	1	GEO	P1	P2	P3	12	1	GEO	P1	P2	P3
11	11		11	0	0	2	1		2	1	0	4	4		4	4	0
6	0	MARGHISHVILI A. (GEO)	P1	P2	P3	12	3	GEO	P1	P2	P3	16	0	GEO	P1	P2	P3
0	0		0	0	0	5	2		5	2	0	0	0		0	0	0
7	3	SHAVADZE Enda AJR (GEO)	P1	P2	P3	14	0	GEO	P1	P2	P3	16	3	GEO	P1	P2	P3
5	2		2	3	0	0	0		0	0	0	4	2		4	2	0
8	1	ZHIZHIASHVILI T. (GEO)	P1	P2	P3	16	4	GEO	P1	P2	P3	19	1	GEO	P1	P2	P3
2	0		0	2	0	12	0		12	0	0	2	0		2	0	0
9	0	TETUNASHVILI Z. (GEO)	P1	P2	P3	17	1	GEO	P1	P2	P3	19	1	GEO	P1	P2	P3
0	0		0	0	0	4	0		4	0	0	2	0		2	0	0
10	4	KHUBULURI G. (GEO)	P1	P2	P3	19	3	GEO	P1	P2	P3	23	1	GEO	P1	P2	P3
10	10		10	0	0	9	4		9	4	0	1	0		1	0	0
11	0	KAPANADZE Saba TBL (GEO)	P1	P2	P3	22	1	GEO	P1	P2	P3	23	3	GEO	P1	P2	P3
0	0		0	0	0	1	0		1	0	0	7	1		7	1	0
12	4	GOTSIRIDZE M. (GEO)	P1	P2	P3	23	3	GEO	P1	P2	P3	32	0	GEO	P1	P2	P3
10	10		10	0	0	2	1		2	1	0	2	0		2	0	0
13	0	MUZASHVILI N. (GEO)	P1	P2	P3	27	4	GEO	P1	P2	P3	32	3	GEO	P1	P2	P3
0	0		0	0	0	13	9		13	4	0	2	0		2	0	0
14	4	IORAMASHVILI D. (GEO)	P1	P2	P3	30	0	GEO	P1	P2	P3	27	1	GEO	P1	P2	P3
10	4		4	6	0	0	0		0	0	0	3	0		3	0	0
15	0	KHAREBAVA D. (GEO)	P1	P2	P3	32	3	GEO	P1	P2	P3	32	3	GEO	P1	P2	P3
0	0		0	0	0	7	4		7	4	0	2	0		2	0	0
16	4	GOLUBIANI A. (GEO)	P1	P2	P3	32	3	GEO	P1	P2	P3	32	3	GEO	P1	P2	P3
10	10		10	0	0	4	2		4	2	0	2	0		2	0	0
17	5	ABASHIDZE S. (GEO)	P1	P2	P3	32	4	GEO	P1	P2	P3	32	4	GEO	P1	P2	P3
6	6		6	0	0	4	2		4	2	0	2	2		2	2	0
18	0	GAJIEVI Z. (GEO)	P1	P2	P3	32	4	GEO	P1	P2	P3	32	4	GEO	P1	P2	P3
0	0		0	0	0	4	0		4	0	0	2	2		2	2	0
19	5	URUMASHVILI D. (GEO)	P1	P2	P3	32	4	GEO	P1	P2	P3	32	4	GEO	P1	P2	P3
6	2		2	4	0	4	0		4	0	0	2	2		2	2	0
20	0	KIKVADZE I. (GEO)	P1	P2	P3	32	4	GEO	P1	P2	P3	32	4	GEO	P1	P2	P3
5	5		5	0	0	4	2		4	2	0	2	2		2	2	0
21	1	TAMARASHVILI G. (GEO)	P1	P2	P3	32	4	GEO	P1	P2	P3	32	4	GEO	P1	P2	P3
4	4		4	0	0	4	2		4	2	0	2	2		2	2	0
22	3	NATENADZE S. (GEO)	P1	P2	P3	32	4	GEO	P1	P2	P3	32	4	GEO	P1	P2	P3
12	8		8	4	0	4	2		4	2	0	2	2		2	2	0
23	4	KUTCHUASHVILI D. (GEO)	P1	P2	P3	32	4	GEO	P1	P2	P3	32	4	GEO	P1	P2	P3
13	1		1	12	0	4	2		4	2	0	2	2		2	2	0
24	1	TEDIASHVILI I. (GEO)	P1	P2	P3	32	4	GEO	P1	P2	P3	32	4	GEO	P1	P2	P3
2	2		2	0	0	4	2		4	2	0	2	2		2	2	0
25	5	CHAGHASHVILI G. (GEO)	P1	P2	P3	32	4	GEO	P1	P2	P3	32	4	GEO	P1	P2	P3
0	0		0	0	0	4	2		4	2	0	2	2		2	2	0
26	0	BASASHVILI T. (GEO)	P1	P2	P3	32	4	GEO	P1	P2	P3	32	4	GEO	P1	P2	P3
0	0		0	0	0	4	2		4	2	0	2	2		2	2	0
27	3	KHAINDRAVA L. (GEO)	P1	P2	P3	32	4	GEO	P1	P2	P3	32	4	GEO	P1	P2	P3
7	3		3	4	0	4	2		4	2	0	2	2		2	2	0
28	1	REVISHVILI G. (GEO)	P1	P2	P3	32	4	GEO	P1	P2	P3	32	4	GEO	P1	P2	P3
3	2		2	1	0	4	2		4	2	0	2	2		2	2	0
29	0	IREMADZE Luka KTS (GEO)	P1	P2	P3	32	4	GEO	P1	P2	P3	32	4	GEO	P1	P2	P3
0	0		0	0	0	4	2		4	2	0	2	2		2	2	0
30	4	LAGVILAVA N. (GEO)	P1	P2	P3	32	4	GEO	P1	P2	P3	32	4	GEO	P1	P2	P3
10	4		4	6	0	4	2		4	2	0	2	2		2	2	0
31	0	KOGHUASHVILI D. (GEO)	P1	P2	P3	32	4	GEO	P1	P2	P3	32	4	GEO	P1	P2	P3
4	4		4	0	0	4	2		4	2	0	2	2		2	2	0
32	5	KAKOSHVILI T. (GEO)	P1	P2	P3	32	4	GEO	P1	P2	P3	32	4	GEO	P1	P2	P3
4	4		2	2	0	4	2		4	2	0	2	2		2	2	0

2 GAGNIDZE B. (GEO)

Classement

Cl	Pays	Nom
1	GEO	GAGNIDZE Bagrati KTS
2	GEO	KAKOSHVILI Tornike TBL ORC
3	GEO	GOLUBIANI Anzori RST
3	GEO	KUTCHUASHVILI Daviti SGRJ
5	GEO	KHUTCHUA Luka SMTR
5	GEO	KHAINDRAVA Luka GORI
7	GEO	URUMASHVILI Daviti BLN
8	GEO	GOTSIRIDZE Mikheil TBL
9	GEO	SULEIMANISHVILI Merabi GORI
10	GEO	ABASHIDZE Sulhan AJR
11	GEO	KOGHUASHVILI Daviti KTS
12	GEO	KHUBULURI Gurami TBL
13	GEO	CHAGHASHVILI Giorgi GORI
14	GEO	LAGVILAVA Nikoloz ZGDD
15	GEO	IORAMASHVILI Daviti KVRL
16	GEO	NATENADZE Shaqro GRDB
17	GEO	SHAVADZE Enda AJR
18	GEO	GRIGOLIA Onise TBL
19	GEO	TAMARASHVILI Giorgi KSP
20	GEO	ORMOTSADZE Shota SMTR
21	GEO	REVISHVILI Guga KTS
22	GEO	ZHIZHIASHVILI Tornike TBL ORC
23	GEO	TEDIASHVILI Irakli AJR
24	GEO	KIKVADZE Irakli AMBRL
25	GEO	BASASHVILI Tornike GORI
26	GEO	GAJIEVI Zubaira KVRL
27	GEO	KAPANADZE Saba TBL
27	GEO	MUZASHVILI Nika TBL
27	GEO	KHAREBAVA Dito ZGDD
27	GEO	IREMADZE Luka KTS
27	GEO	TETUNASHVILI Zura RST
32	GEO	MARGHISHVILI Andria QRL

REPECHAGE

REPECHAGE FINALISTE 1

1	1	GEO	P1	P2	P3	4	0	GEO	P1	P2	P3	5	0	GEO	P1	P2	P3
4	4		4	0	0	0	0		0	0	0	10	0		10	0	0
14	0		14	10	0	10	0		10	0	0	4	4		4	4	0
10	0		10	0	0	10	0		10	0	0	4	4		4	4	0
16	0	GOLUBIANI A. (GEO)															

Mdaille de Bronze

REPECHAGE FINALISTE 2

31	5	GEO	P1	P2	P3	31	1	GEO	P1	P2	P3	27	0	GEO	P1	P2	P3	
2	0		0	2	0	2	0		2	0	0	0	0		0	0	0	
4	0		4	1	3	0	3	2		3	1	0	5	4		5	4	0
0	0		0	1	3	0	3	2		3	1	0	6	2		6	2	0
23	0	KUTCHUASHVILI D. (GEO)																

Mdaille de Bronze

Classement**Georgian Championship in FS Style Cadet**

STYLE : FS 71 kg

**1 - Or / Gold**

GAGNIDZE Bagrati KTS

2 - Argent / Silver

KAKOSHVILI Tornike TBL ORC

3 - Bronze

GOLUBIANI Anzori RST KUTCHUASHVILI Daviti SGRJ

<i>Classement</i>	<i>Nom - Name</i>	<i>Pays - Country</i>
1	GAGNIDZE B.	GEO
2	KAKOSHVILI T.	GEO
3	GOLUBIANI A.	GEO
3	KUTCHUASHVILI D.	GEO
5	KHUTCHUA Luka SMTR	GEO
5	KHAINDRAVA L.	GEO
7	URUMASHVILI D.	GEO
8	GOTSIRIDZE M.	GEO
9	SULEIMANISHVILI M.	GEO
10	ABASHIDZE S.	GEO
11	KOGHUASHVILI D.	GEO
12	KHUBULURI G.	GEO
13	CHAGHASHVILI G.	GEO
14	LAGVILAVA N.	GEO
15	IORAMASHVILI D.	GEO
16	NATENADZE S.	GEO
17	SHAVADZE Enda AJR	GEO
18	GRIGOLIA Onise TBL	GEO
19	TAMARASHVILI G.	GEO
20	ORMOTSADZE S.	GEO
21	REVISHVILI Guga KTS	GEO
22	ZHIZHIASHVILI T.	GEO
23	TEDIASHVILI I.	GEO
24	KIKVADZE I.	GEO
25	BASASHVILI T.	GEO
26	GAJIEVI Z.	GEO
27	KAPANADZE Saba TBL	GEO
27	MUZASHVILI Nika TBL	GEO
27	KHAREBAVA Dito ZGDD	GEO
27	IREMADZE Luka KTS	GEO



Classement

Georgian Championship in FS Style Cadet

STYLE : FS 71 kg



Classement	Nom - Name	Pays - Country
27	TETUNASHVILI Z.	GEO
32	MARGHISHVILI A.	GEO



UNITED WORLD
WRESTLING

Feuille de compétition / Competition Sheet

Georgian Championship in FS Style Cadet



STYLE : FS 80 kg

QUALIFICATION		1/8 FINALE	1/4 FINALE	1/2 FINALE	FINALE
1	GAVASHELISHVILI M. (GEO)	1 1 2	GEO P1 P2 P3 2 0 0	2 4 10	GEO P1 P2 P3 10 0 0
2	CHANQSELIANI G. (GEO)	2 4 15	GEO P1 P2 P3 15 0 0	2 4 10	GEO P1 P2 P3 6 4 0
3	TODUA Giorgi ZGDD (GEO)	3 3 2	GEO P1 P2 P3 2 0 0	3 0 0	GEO P1 P2 P3 0 0 0
4	PATCHKORIA S. (GEO)	4 1 1	GEO P1 P2 P3 1 0 0	6 1 1	GEO P1 P2 P3 1 0 0
5	KONTSELIDZE Z. (GEO)	5 1 4	GEO P1 P2 P3 2 2 0	8 0 0	GEO P1 P2 P3 0 0 0
6	DGEBUADZE A. (GEO)	6 3 7	GEO P1 P2 P3 6 1 0	11 1 2	GEO P1 P2 P3 2 0 0
7	BURDULI Revazi TBL (GEO)	7 0 0	GEO P1 P2 P3 0 0 0	11 4 10	GEO P1 P2 P3 10 0 0
8	GAMTENADZE S. (GEO)	8 5 11	GEO P1 P2 P3 8 3 0	17 3 18	GEO P1 P2 P3 8 10 0
9	BABILASHVILI N. (GEO)	9 0 0	GEO P1 P2 P3 0 0 0	17 4 12	GEO P1 P2 P3 6 6 0
10	ZABILONI T. (GEO)	10 5 0	GEO P1 P2 P3 0 0 0	17 4 10	GEO P1 P2 P3 10 0 0
11	KANTIDZE Bako TBL (GEO)	11 4 10	GEO P1 P2 P3 10 0 0	17 4 10	GEO P1 P2 P3 10 0 0
12	CHABASHVILI N. (GEO)	12 0 0	GEO P1 P2 P3 0 0 0	17 4 10	GEO P1 P2 P3 10 0 0
13	AKHALAIA T. (GEO)	13 3 13	GEO P1 P2 P3 9 4 0	17 4 10	GEO P1 P2 P3 10 0 0
14	MENTESHASHVILI T. (GEO)	14 0 0	GEO P1 P2 P3 0 0 0	17 4 10	GEO P1 P2 P3 10 0 0
15	ASADOVI K. (GEO)	15 1 2	GEO P1 P2 P3 2 0 0	17 4 10	GEO P1 P2 P3 10 0 0
16	URTMELADZE G. (GEO)	16 1 8	GEO P1 P2 P3 7 1 0	17 4 10	GEO P1 P2 P3 10 0 0
17	NEBUNISHVILI G. (GEO)	17 3 4	GEO P1 P2 P3 2 2 0	17 4 10	GEO P1 P2 P3 10 0 0
18	KUSIANI Nika RST (GEO)	18 0 0	GEO P1 P2 P3 0 0 0	17 4 10	GEO P1 P2 P3 10 0 0
19	QAZUMOVI S. (GEO)	19 0 0	GEO P1 P2 P3 0 0 0	17 4 10	GEO P1 P2 P3 10 0 0
20	MATCHUTADZE G. (GEO)	20 1 2	GEO P1 P2 P3 0 2 0	17 4 10	GEO P1 P2 P3 10 0 0

17 NEBUNISHVILI G. (GEO)

Classement

Cl	Pays	Nom
1	GEO	NEBUNISHVILI Giorgi GRDB
2	GEO	CHANQSELIANI Giorgi KHONI
3	GEO	GAMTENADZE Saba KTS
3	GEO	QAZUMOVI Sanan BLNS
5	GEO	KANTIDZE Bako TBL
5	GEO	TODUA Giorgi ZGDD
7	GEO	AKHALAIA Tornike RST
8	GEO	ZABILONI Temuri GORI
9	GEO	URTMELADZE Guga TBL ORC
10	GEO	MENTESHASHVILI Tornike BLNS
11	GEO	GAVASHELISHVILI Misha RST
12	GEO	KONTSELIDZE Zurabi AJR
13	GEO	ASADOVI Khuseini TBL
14	GEO	MATCHUTADZE Giorgi AJR
15	GEO	PATCHKORIA Sandro FOTI
16	GEO	BABILASHVILI Nikoloz TBL ORC
17	GEO	NEBUNISHVILI Giorgi GRDB
18	GEO	CHABASHVILI Nodari RST
19	GEO	BURDULI Revazi TBL
20	GEO	KUSIANI Nika RST

REPECHAGE

REPECHAGE FINALISTE 1

1	1	GEO	P1 P2 P3	1 2 0
3	3	GEO	P1 P2 P3	2 2 0
8	3	GEO	P1 P2 P3	4 0 0
8	GAMTENADZE S. (GEO)			

Mdaille de Bronze

REPECHAGE FINALISTE 2

18	0	GEO	P1 P2 P3	0 0 0
19	4	GEO	P1 P2 P3	10 0 0
13	0	GEO	P1 P2 P3	0 0 0
19	3	GEO	P1 P2 P3	1 3 0
11	1	GEO	P1 P2 P3	0 1 0
19	QAZUMOVI S. (GEO)			

Mdaille de Bronze

Classement**Georgian Championship in FS Style Cadet**

STYLE : FS 80 kg

UNITED WORLD
WRESTLING**1 - Or / Gold**

NEBUNISHVILI Giorgi GRDB

2 - Argent / Silver

CHANQSELIANI Giorgi KHONI

3 - Bronze

GAMTENADZE Saba KTS QAZUMOVI Sanan BLNS

<i>Classement</i>	<i>Nom - Name</i>	<i>Pays - Country</i>
1	NEBUNISHVILI G.	GEO
2	CHANQSELIANI G.	GEO
3	GAMTENADZE Saba KTS	GEO
3	QAZUMOVI Sanan BLNS	GEO
5	KANTIDZE Bako TBL	GEO
5	TODUA Giorgi ZGDD	GEO
7	AKHALAIA T.	GEO
8	ZABILONI T.	GEO
9	URTMELADZE G.	GEO
10	DGEBUADZE A.	GEO
11	GAVASHELISHVILI M.	GEO
12	KONTSELIDZE Z.	GEO
13	ASADOVI K.	GEO
14	MATCHUTADZE G.	GEO
15	PATCHKORIA S.	GEO
16	BABILASHVILI N.	GEO
17	MENTESHASHVILI T.	GEO
18	CHABASHVILI N.	GEO
19	BURDULI Revazi TBL	GEO
20	KUSIANI Nika RST	GEO



Feuille de compétition / Competition Sheet

Georgian Championship in FS Style Cadet



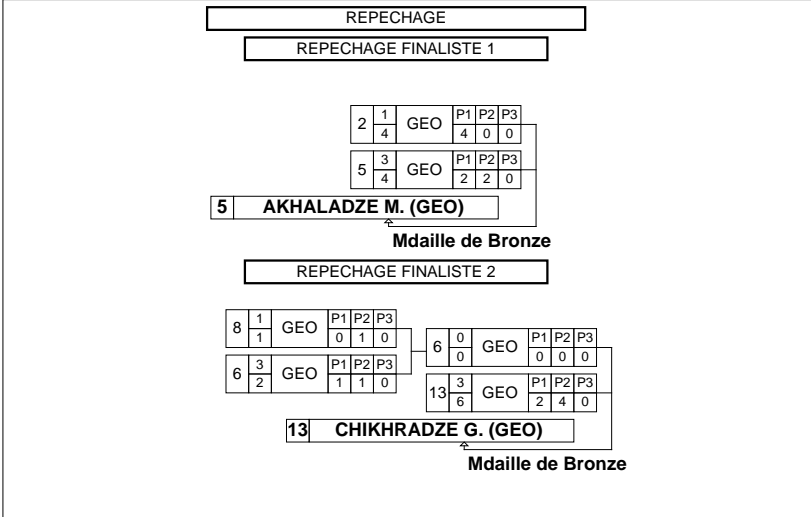
STYLE : FS 92 kg



1 BERULAVA Nika TBL (GEO)

Classement

Cl	Pays	Nom
1	GEO	BERULAVA Nika TBL
2	GEO	JAFARIDZE Shaqro AMBRL
3	GEO	AKHALADZE Muradi GORI
3	GEO	CHIKHRADZE Giorgi ONI
5	GEO	GOGORIANI Kharazi AKHLK
5	GEO	ARCHVADZE Guga ONI
7	GEO	KETILADZE Razhiko KHONI
8	GEO	BASISHVILI Beso GORI
9	GEO	KURASHVILI Saba TBL
10	GEO	QOCHIASHVILI Nodari GRDB
11	GEO	URUZASHVILI Giorgi TBL
12	GEO	MAKHAROBLIDZE Giorgi GORI
13	GEO	FANGANI Beqa TBL



Classement**Georgian Championship in FS Style Cadet**

STYLE : FS 92 kg

UNITED WORLD
WRESTLING**1 - Or / Gold**

BERULAVA Nika TBL

2 - Argent / Silver

JAFARIDZE Shaqro AMBRL

3 - Bronze

AKHALADZE Muradi GORI CHIKHRADZE Giorgi ONI

<i>Classement</i>	<i>Nom - Name</i>	<i>Pays - Country</i>
1	BERULAVA Nika TBL	GEO
2	JAFARIDZE S.	GEO
3	AKHALADZE M.	GEO
3	CHIKHRADZE G.	GEO
5	GOGORIANI K.	GEO
5	ARCHVADZE Guga ONI	GEO
7	KETILADZE R.	GEO
8	BASISHVILI B.	GEO
9	KURASHVILI Saba TBL	GEO
10	QOCHIASHVILI N.	GEO
11	URUZASHVILI G.	GEO
12	MAKHAROBLIDZE G.	GEO
13	FANGANI Beqa TBL	GEO

