

# TOURNAMENT OF HONORED GEORGIAN COACH V. ADEISHVILI-JUNIOR



UNITED WORLD  
**WRESTLING**

TBILISI (GEO)

2016-10-25 - 2016-10-26 2016

Résultats - Results

**Lutte Greco-Romaine - Greco-Roman**





**Liste des arbitres / Referee list**

**Tournament of Honored Georgian Coach V. Adeishvili-Junio**



<i>N°</i>	<i>Licence</i>	<i>Pays Country</i>	<i>Nom - Last Name</i>	<i>Prénom - First Name</i>
-----------	----------------	-------------------------	------------------------	----------------------------





Liste des nations / Countries List

Tournament of Honored Georgian Coach V. Adeishvili-Junio

STYLE GR



*Pays - Country*



GEORGIA

GEO

Nombre de nations - Number of Countries

1



**Nombre d'engagés par nation / Number of Entries By Country**

**Tournament of Honored Georgian Coach V. Adeishvili-Junio**



**STYLE GR**

<i>Pays - Country</i>	<i>120 KG</i>	<i>50 KG</i>	<i>55 KG</i>	<i>60 KG</i>	<i>66 KG</i>	<i>74 KG</i>	<i>84 KG</i>	<i>96 KG</i>	<i>TOTAL</i>
 GEO	4	5	11	14	18	9	8	9	<b>78</b>
<b>TOTAL</b>	<b>4</b>	<b>5</b>	<b>11</b>	<b>14</b>	<b>18</b>	<b>9</b>	<b>8</b>	<b>9</b>	<b>78</b>

**Nombre de nations - Number of Countries** 1



## Liste des Engagés par pays / Entry-List By Country

### Tournament of Honored Georgian Coach V. Adeishvili-Junio

#### STYLE GR



#### GEORGIA (GEO)

##### Lutteur(s) / Wrestler(s) :

120 kg	BARBAQADZE, Giorgi SRTCH LOMIDZE, Nika KSHR MAKARIDZE, Beqa TRJL TSETSKHLADZE, Saba OZRG
50 kg	ADIKASHVILI, Beqa MRTK DEKANADZE, Onise KHULO GHLONTI, Shota OZRG KHACHIDZE, Vasili BRJ MCHEDLISHVILI, Davit MRTK
55 kg	ABULADZE, Nika OZRG CHUBINIDZE, Tornike KTS GURULI, Beqa RST KIKNADZE, Giorgi TBL LIPARTELIANI, Lasha TBL MEGRELISHVILI, Nikoloz TBL NAKASHIA, Irakli KHOBI SEKHNIASHVILI, Daviti TBL SHOTADZE, Giorgi LNCHKH SILAGAVA, Ramazi TBL TSURTSUMIA, Nugzari KHOBI
60 kg	BELASHVILI, Nodari TBL BODZASHVILI, Giorgi TBL BREGVADZE, Giorgi RST DZAGNIDZE, Avtandili TBL GOGIA, Temuri SNK GURULI, Mamuka RST KANDELAKI, Tornike NORIO LABADZE, Giorgi OZR MAISURADZE, Daviti TBL METREVELI, Irakli TBL PERTAKHIA, Goga KHOBI QINQLADZE, Tristani OZR RUSITASHVILI, Rostomi TBL SABANASHVILI, Nikoloz TBL
66 kg	ASANIDZE, Giorgi RST BABILODZE, Erekle OZR BAKURADZE, Daviti OZR BUTSKHRIKIDZE, Giga TRJ GADILIA, Ramiko SNK GOGITIDZE, Elizbari TSLK GUJABIDZE, Giorgi OZR KHETSURIANI, Joni KHOBI KIRTAVA, Jiba SNK KORSHIA, Nika KHOBI MACHALIKASHVILI, Qerim AKHM ORC POGHOSYANI, Sergo TBL QAVTARADZE, Beqa TBL SAMKHARAULI, Gizo GRDB SHANAVA, Koba TBL SHPETISHVILI, Zaqaria MRTK SIMONIA, Zurabi SNK TAKASHVILI, Nika GRDB
74 kg	CHIKAIDZE, Nikoloz GRDB GOGOKHIA, Temuri KHOBI IVANIDZE, Giorgi TBL



## Liste des Engagés par pays / Entry-List By Country

### Tournament of Honored Georgian Coach V. Adeishvili-Junio

#### STYLE GR



	LABADZE, Tamazi TBL
	MAMUKASHVILI, Beqa GRDB
	QAVTARADZE, Demuri NORIO
	RIKADZE, Aivengo GRDB
	SHENGELIA, Amiko SNK
	SHPETISHVILI, Irodioni GRDB
84 kg	CHKUASELIDZE, Temuri TBL
	GHARIBADZE, Koka TBL
	GOGIDZE, Mikheili TBL
	GUMBERIDZE, Aleksandre KTS
	JANGIRASHVILI, Daviti TBL
	KHETSURIANI, Gurami KTS
	QARTVELISHVILI, Givi TBL
	SABULUA, Tsotne TBL
96 kg	BOLGHASHVILI, Giorgi RST
	BUKHRIKIDZE, Saba TBL
	GIORGOBIANI, Gurami TBL
	INASHVILI, Bidzina TBL
	KALANDADZE, Kakha OZRG
	MARSHANIA, Giorgi TBL
	ORBELADZE, Giorgi ZSTF
	SHPETISHVILI, Beqa MRTK
	SILAGADZE, Zaza TBL



# Feuille de compétition / Competition Sheet

## Tournament of Honored Georgian Coach V. Adeishvili-Junio



**STYLE : GR 120 kg**

**TOUR : 1**

1	4 4	TSETSKHLADZE S. (GEO)	P1 4	P2 0	P3 0	} <b>1 TSETSKHLADZE S. (GEO)</b>
2	0 0	LOMIDZE Nika KHSHR (GEO)	P1 0	P2 0	P3 0	
3	4 5	BARBAQADZE G. (GEO)	P1 5	P2 0	P3 0	} <b>3 BARBAQADZE G. (GEO)</b>
4	0 2	MAKARIDZE B. (GEO)	P1 2	P2 0	P3 0	

**TOUR : 2**

1	0 0	TSETSKHLADZE S. (GEO)	P1 0	P2 0	P3 0	} <b>3 BARBAQADZE G. (GEO)</b>
3	4 8	BARBAQADZE G. (GEO)	P1 8	P2 0	P3 0	
2	0 0	LOMIDZE Nika KHSHR (GEO)	P1 0	P2 0	P3 0	} <b>4 MAKARIDZE B. (GEO)</b>
4	4 0	MAKARIDZE B. (GEO)	P1 0	P2 0	P3 0	

**TOUR : 3**

1	1 2	TSETSKHLADZE S. (GEO)	P1 0	P2 2	P3 0	} <b>4 MAKARIDZE B. (GEO)</b>
4	3 4	MAKARIDZE B. (GEO)	P1 2	P2 2	P3 0	
2	0 0	LOMIDZE Nika KHSHR (GEO)	P1 0	P2 0	P3 0	} <b>3 BARBAQADZE G. (GEO)</b>
3	4 0	BARBAQADZE G. (GEO)	P1 0	P2 0	P3 0	

**Classement**

Cl	Pays	Nom	Points
1	GEO	BARBAQADZE G.	12
2	GEO	MAKARIDZE Beqa TRJL	7
3	GEO	TSETSKHLADZE S.	5
4	GEO	LOMIDZE Nika KHSHR	0

**Classement****Tournament of Honored Georgian Coach V. Adeishvili-Junio**

STYLE : GR 120 kg

UNITED WORLD  
WRESTLING**1 - Or / Gold**

BARBAQADZE Giorgi SRTCH

**2 - Argent / Silver**

MAKARIDZE Beqa TRJL

**3 - Bronze**

TSETSKHLADZE Saba OZRG

<i>Classement</i>	<i>Nom - Name</i>	<i>Pays - Country</i>	<i>Points</i>
1	BARBAQADZE G.	GEO	12
2	MAKARIDZE Beqa TRJL	GEO	7
3	TSETSKHLADZE S.	GEO	5
4	LOMIDZE Nika KHSR	GEO	0





# Feuille de compétition / Competition Sheet

## Tournament of Honored Georgian Coach V. Adeishvili-Junio

STYLE : GR 50 kg



### TOUR : 1

1	4 9	MCHEDLISHVILI D. (GEO)	P1 1	P2 8	P3 0	1	MCHEDLISHVILI D. (GEO)
2	0 6	DEKANADZE O. (GEO)	P1 5	P2 1	P3 0		
3	1 1	ADIKASHVILI B. (GEO)	P1 0	P2 1	P3 0	4	KHACHIDZE V. (GEO)
4	4 9	KHACHIDZE V. (GEO)	P1 3	P2 6	P3 0		

### TOUR : 2

5	3 6	GHLONTI Shota OZRG (GEO)	P1 3	P2 3	P3 0	5	GHLONTI Shota OZRG (GEO)
1	1 3	MCHEDLISHVILI D. (GEO)	P1 0	P2 3	P3 0		
2	0 0	DEKANADZE O. (GEO)	P1 0	P2 0	P3 0	3	ADIKASHVILI B. (GEO)
3	4 0	ADIKASHVILI B. (GEO)	P1 0	P2 0	P3 0		

### TOUR : 3

4	4 4	KHACHIDZE V. (GEO)	P1 4	P2 0	P3 0	4	KHACHIDZE V. (GEO)
1	0 1	MCHEDLISHVILI D. (GEO)	P1 1	P2 0	P3 0		
5	4 0	GHLONTI Shota OZRG (GEO)	P1 0	P2 0	P3 0	5	GHLONTI Shota OZRG (GEO)
2	0 0	DEKANADZE O. (GEO)	P1 0	P2 0	P3 0		

### TOUR : 4

3	0 1	ADIKASHVILI B. (GEO)	P1 1	P2 0	P3 0	1	MCHEDLISHVILI D. (GEO)
1	4 9	MCHEDLISHVILI D. (GEO)	P1 5	P2 4	P3 0		
4	1 1	KHACHIDZE V. (GEO)	P1 1	P2 0	P3 0	5	GHLONTI Shota OZRG (GEO)
5	3 2	GHLONTI Shota OZRG (GEO)	P1 1	P2 1	P3 0		

### TOUR : 5

2	0 0	DEKANADZE O. (GEO)	P1 0	P2 0	P3 0	4	KHACHIDZE V. (GEO)
4	4 0	KHACHIDZE V. (GEO)	P1 0	P2 0	P3 0		
3	1 1	ADIKASHVILI B. (GEO)	P1 0	P2 1	P3 0	5	GHLONTI Shota OZRG (GEO)
5	3 5	GHLONTI Shota OZRG (GEO)	P1 3	P2 2	P3 0		

### Classement

Cl	Pays	Nom	Points
1	GEO	GHLONTI Shota OZRG	13
2	GEO	KHACHIDZE V.	13
3	GEO	MCHEDLISHVILI D.	9
4	GEO	ADIKASHVILI B.	6
5	GEO	DEKANADZE O.	0

**Classement****Tournament of Honored Georgian Coach V. Adeishvili-Junio**

STYLE : GR 50 kg

UNITED WORLD  
WRESTLING**1 - Or / Gold**

GHLONTI Shota OZRG

**2 - Argent / Silver**

KHACHIDZE Vasili BRJ

**3 - Bronze**

MCHEDLISHVILI Davit MRTK

<i>Classement</i>	<i>Nom - Name</i>	<i>Pays - Country</i>	<i>Points</i>
1	GHLONTI Shota OZRG	GEO	13
2	KHACHIDZE V.	GEO	13
3	MCHEDLISHVILI D.	GEO	9
4	ADIKASHVILI B.	GEO	6
5	DEKANADZE O.	GEO	0

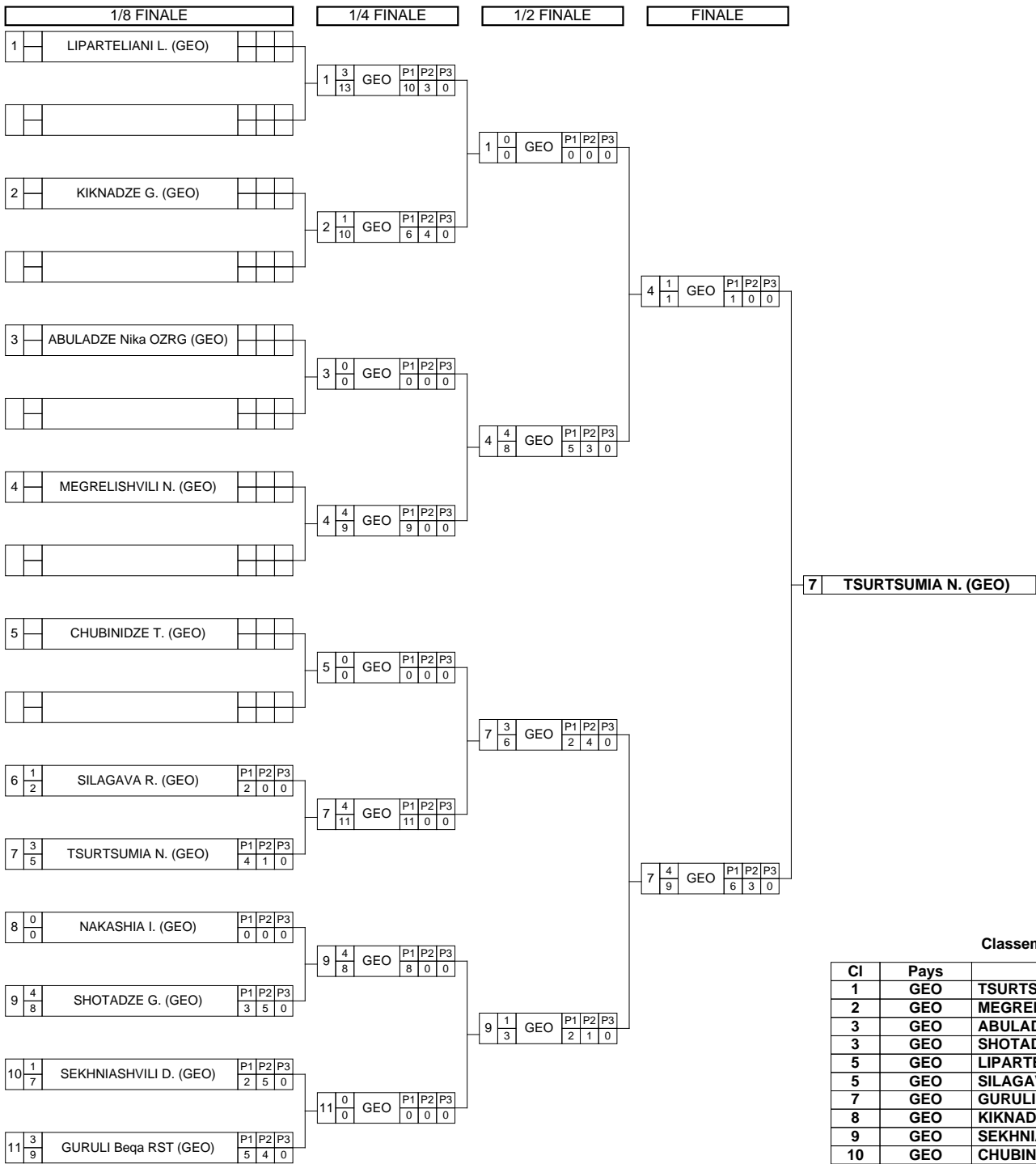


# Feuille de compétition / Competition Sheet

## Tournament of Honored Georgian Coach V. Adeishvili-Junio

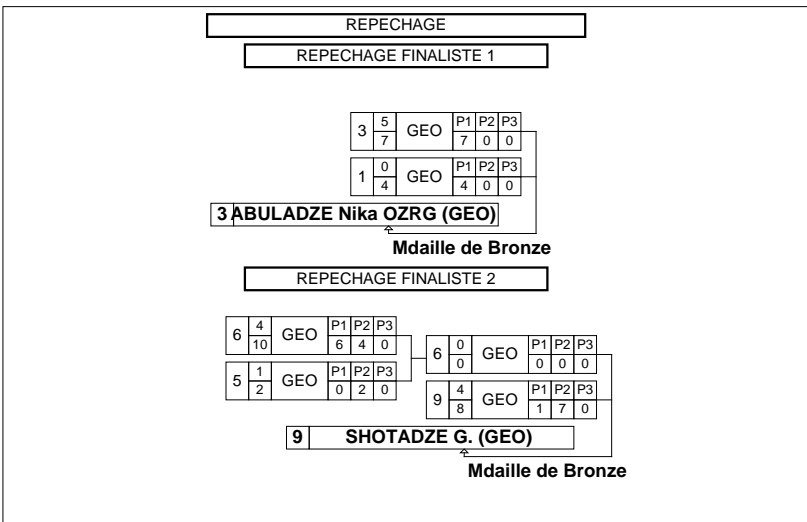


**STYLE : GR 55 kg**



**Classement**

Cl	Pays	Nom
1	GEO	TSURTSUMIA Nugzari KHOBI
2	GEO	MEGRELISHVILI Nikoloz TBL
3	GEO	ABULADZE Nika OZRG
3	GEO	SHOTADZE Giorgi LNCHKH
5	GEO	LIPARTELIANI Lasha TBL
5	GEO	SILAGAVA Ramazi TBL
7	GEO	GURULI Beqa RST
8	GEO	KIKNADZE Giorgi TBL
9	GEO	SEKHNIASHVILI Daviti TBL
10	GEO	CHUBINIDZE Tornike KTS
11	GEO	NAKASHIA Irakli KHOBI



**Classement****Tournament of Honored Georgian Coach V. Adeishvili-Junio**

STYLE : GR 55 kg

UNITED WORLD  
WRESTLING

1 - Or / Gold



TSURTSUMIA Nugzari KHOBI

2 - Argent / Silver



MEGRELISHVILI Nikoloz TBL

3 - Bronze



ABULADZE Nika OZRG SHOTADZE Giorgi LNCHKH

<i>Classement</i>	<i>Nom - Name</i>	<i>Pays - Country</i>
1	TSURTSUMIA N.	GEO
2	MEGRELISHVILI N.	GEO
3	ABULADZE Nika OZRG	GEO
3	SHOTADZE G.	GEO
5	LIPARTELIANI L.	GEO
5	SILAGAVA Ramazi TBL	GEO
7	GURULI Beqa RST	GEO
8	KIKNADZE Giorgi TBL	GEO
9	SEKHNIASHVILI D.	GEO
10	CHUBINIDZE T.	GEO
11	NAKASHIA I.	GEO



# Feuille de compétition / Competition Sheet

## Tournament of Honored Georgian Coach V. Adeishvili-Junio

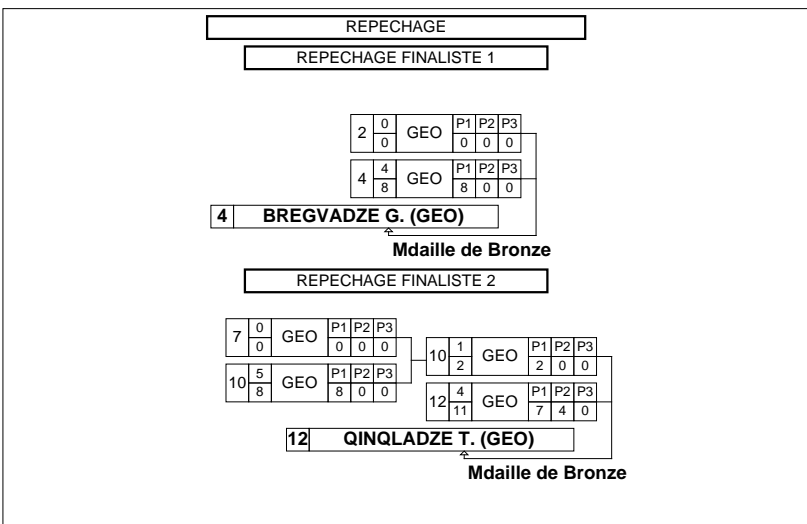


**STYLE : GR 60 kg**



**Classement**

Cl	Pays	Nom
1	GEO	KANDELAKI Tornike NORIO
2	GEO	GOGIA Temuri SNK
3	GEO	BREGVADZE Giorgi RST
3	GEO	QINQLADZE Tristani OZR
5	GEO	BODZASHVILI Giorgi TBL
5	GEO	GURULI Mamuka RST
7	GEO	BELASHVILI Nodari TBL
8	GEO	PERTAKHIA Goga KHOBI
9	GEO	SABANASHVILI Nikoloz TBL
10	GEO	DZAGNIDZE Avtandili TBL
11	GEO	LABADZE Giorgi OZR
12	GEO	RUSITASHVILI Rostomi TBL
13	GEO	MAISURADZE Daviti TBL
14	GEO	METREVELI Irakli TBL



**Classement****Tournament of Honored Georgian Coach V. Adeishvili-Junio**

STYLE : GR 60 kg

UNITED WORLD  
WRESTLING

1 - Or / Gold



KANDELAKI Tornike NORIO

2 - Argent / Silver



GOGIA Temuri SNK

3 - Bronze



BREGVADZE Giorgi RST    QINQLADZE Tristani OZR

<i>Classement</i>	<i>Nom - Name</i>	<i>Pays - Country</i>
1	KANDELAKI T.	GEO
2	GOGIA Temuri SNK	GEO
3	BREGVADZE G.	GEO
3	QINQLADZE T.	GEO
5	BODZASHVILI G.	GEO
5	GURULI Mamuka RST	GEO
7	BELASHVILI N.	GEO
8	PERTAKHIA G.	GEO
9	SABANASHVILI N.	GEO
10	DZAGNIDZE A.	GEO
11	LABADZE Giorgi OZR	GEO
12	RUSITASHVILI R.	GEO
13	MAISURADZE D.	GEO
14	METREVELI I.	GEO



UNITED WORLD  
WRESTLING

# Feuille de compétition / Competition Sheet

## Tournament of Honored Georgian Coach V. Adeishvili-Junio



STYLE : GR 66 kg

QUALIFICATION		1/8 FINALE		1/4 FINALE		1/2 FINALE		FINALE	
1	SHANAVA Koba TBL (GEO)	1	0/2 GEO	2	4/7 GEO	2	1/1 GEO	8	3/7 GEO
2	KIRTAVA Jiba SNK (GEO)	2	5/4 GEO	3	0/0 GEO	6	1/1 GEO	8	4/9 GEO
3	QAVTARADZE B. (GEO)	3	3/12 GEO	4	1/5 GEO	8	4/8 GEO	11	3/2 GEO
4	SHPETISHVILI Z. (GEO)	4	1/5 GEO	5	0/0 GEO	9	1/3 GEO	11	1/4 GEO
5	ASANIDZE G. (GEO)	5	0/0 GEO	6	4/8 GEO	11	3/5 GEO	14	3/6 GEO
6	POGHOSYANI S. (GEO)	6	4/8 GEO	7	0/0 GEO	11	1/3 GEO	14	4/10 GEO
7	GOGITIDZE E. (GEO)	7	0/0 GEO	8	4/8 GEO	11	3/5 GEO	15	4/12 GEO
8	GUJABIDZE G. (GEO)	8	4/8 GEO	9	3/4 GEO	11	1/1 GEO	16	0/0 GEO
9	KORSHIA Nika KHOBI (GEO)	9	3/4 GEO	10	1/1 GEO	11	1/2 GEO	17	1/6 GEO
10	SIMONIA Zurabi SNK (GEO)	10	1/1 GEO	11	3/5 GEO	11	3/2 GEO	18	3/8 GEO
11	MACHALIKASHVILI Q. (GEO)	11	3/5 GEO	12	1/3 GEO	11	1/4 GEO		
12	BAKURADZE D. (GEO)	12	1/3 GEO	13	1/1 GEO	11	1/4 GEO		
13	TAKASHVILI N. (GEO)	13	1/1 GEO	14	3/6 GEO	11	1/4 GEO		
14	KHETSURIANI J. (GEO)	14	4/10 GEO	15	4/12 GEO	11	1/4 GEO		
15	SAMKHARAU LI G. (GEO)	15	4/8 GEO	16	0/0 GEO	11	1/4 GEO		
16	GADILIA Ramiko SNK (GEO)	16	0/0 GEO	17	1/6 GEO	11	1/4 GEO		
17	BUTSKHRIKIDZE G. (GEO)	17	1/6 GEO	18	3/8 GEO	11	1/4 GEO		
18	BABILODZE E. (GEO)	18	3/8 GEO						

8 GUJABIDZE G. (GEO)

### Classement

Cl	Pays	Nom
1	GEO	GUJABIDZE Giorgi OZR
2	GEO	MACHALIKASHVILI Qerim AKHM OR
3	GEO	KIRTAVA Jiba SNK
3	GEO	BAKURADZE Daviti OZR
5	GEO	POGHOSYANI Sergo TBL
5	GEO	KHETSURIANI Joni KHOBI
7	GEO	SAMKHARAU LI Gizo GRDB
8	GEO	BABILODZE Erekle OZR
9	GEO	KORSHIA Nika KHOBI
10	GEO	QAVTARADZE Beqa TBL
11	GEO	BUTSKHRIKIDZE Giga TRJ
12	GEO	SHPETISHVILI Zaqaria MRTK
13	GEO	SIMONIA Zurabi SNK
14	GEO	TAKASHVILI Nika GRDB
15	GEO	SHANAVA Koba TBL
16	GEO	GOGITIDZE Elizbari TSLK
17	GEO	GADILIA Ramiko SNK
17	GEO	ASANIDZE Giorgi RST

### REPECHAGE

#### REPECHAGE FINALISTE 1

7	0/2 GEO	6	0/0 GEO
6	5/4 GEO	2	4/9 GEO
<b>2 KIRTAVA Jiba SNK (GEO)</b>			

Mdaille de Bronze

#### REPECHAGE FINALISTE 2

12	3/6 GEO	12	4/9 GEO
9	0/0 GEO	14	0/0 GEO
<b>12 BAKURADZE D. (GEO)</b>			

Mdaille de Bronze

**Classement****Tournament of Honored Georgian Coach V. Adeishvili-Junio**

STYLE : GR 66 kg

**1 - Or / Gold**

GUJABIDZE Giorgi OZR

**2 - Argent / Silver**

MACHALIKASHVILI Qerim AKHM ORC

**3 - Bronze**

KIRTAVA Jiba SNK



BAKURADZE Daviti OZR

<i>Classement</i>	<i>Nom - Name</i>	<i>Pays - Country</i>
1	GUJABIDZE G.	GEO
2	MACHALIKASHVILI Q.	GEO
3	KIRTAVA Jiba SNK	GEO
3	BAKURADZE D.	GEO
5	POGHOSYANI S.	GEO
5	KHETSURIANI J.	GEO
7	SAMKHARAU LI G.	GEO
8	BABILODZE E.	GEO
9	KORSHIA Nika KHOB I	GEO
10	QAVTARADZE Beqa TBL	GEO
11	BUTSKHRIKIDZE G.	GEO
12	SHPETISHVILI Z.	GEO
13	SIMONIA Zurabi SNK	GEO
14	TAKASHVILI N.	GEO
15	SHANAVA Koba TBL	GEO
16	GOGITIDZE E.	GEO
17	GADILIA Ramiko SNK	GEO
17	ASANIDZE Giorgi RST	GEO





# Feuille de compétition / Competition Sheet

## Tournament of Honored Georgian Coach V. Adeishvili-Junio

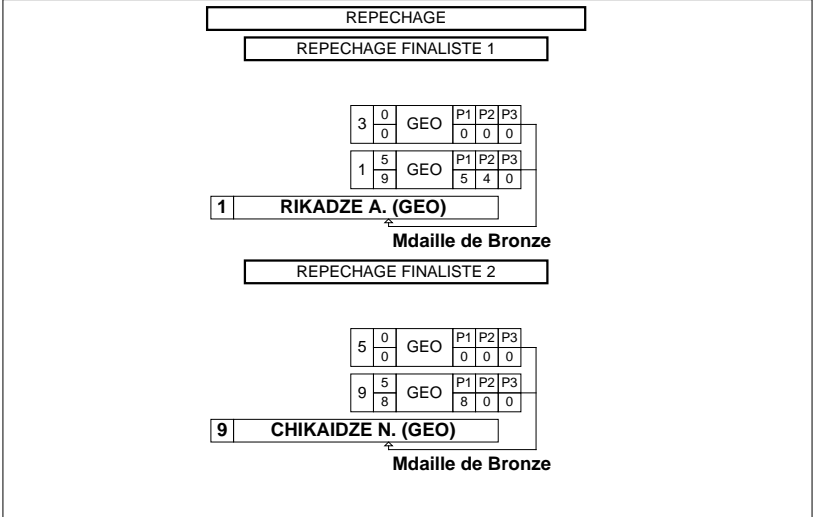


**STYLE : GR 74 kg**



**Classement**

Cl	Pays	Nom
1	GEO	QAVTARADZE Demuri NORIO
2	GEO	MAMUKASHVILI Beqa GRDB
3	GEO	RIKADZE Aivengo GRDB
3	GEO	CHIKAIDZE Nikoloz GRDB
5	GEO	SHENGELIA Amiko SNK
5	GEO	IVANIDZE Giorgi TBL
7	GEO	LABADZE Tamazi TBL
8	GEO	GOGOKHIA Temuri KHOBİ
9	GEO	SHPETISHVILI Irodioni GRDB



**Classement****Tournament of Honored Georgian Coach V. Adeishvili-Junio**

STYLE : GR 74 kg

UNITED WORLD  
WRESTLING

1 - Or / Gold



QAVTARADZE Demuri NORIO

2 - Argent / Silver



MAMUKASHVILI Beqa GRDB

3 - Bronze



RIKADZE Aivengo GRDB    CHIK AidZE Nikoloz GRDB

<i>Classement</i>	<i>Nom - Name</i>	<i>Pays - Country</i>
1	QAVTARADZE D.	GEO
2	MAMUKASHVILI B.	GEO
3	RIKADZE A.	GEO
3	CHIK AidZE N.	GEO
5	SHENGELIA Amiko SNK	GEO
5	IVANIDZE Giorgi TBL	GEO
7	LABADZE Tamazi TBL	GEO
8	GOGOKHIA T.	GEO
9	SHPETISHVILI I.	GEO



# Feuille de compétition / Competition Sheet

## Tournament of Honored Georgian Coach V. Adeishvili-Junio

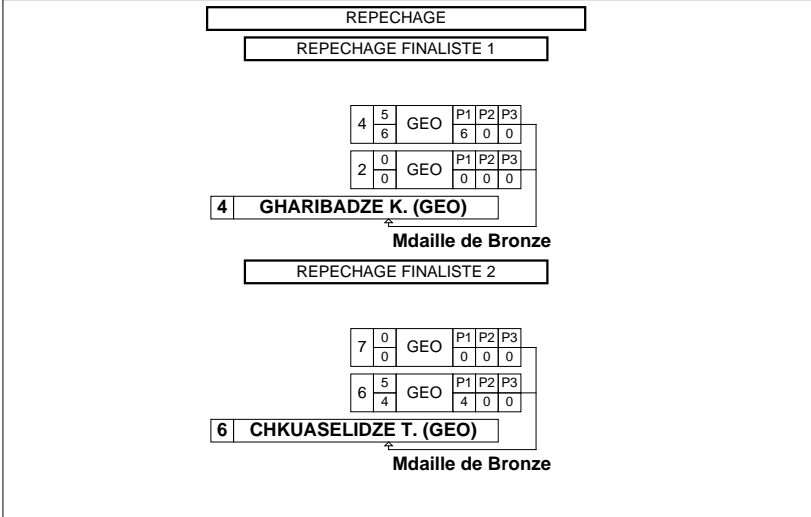


STYLE : GR 84 kg



Classement

Cl	Pays	Nom
1	GEO	KHETSURIANI Gurami KTS
2	GEO	GUMBERIDZE Alexandre KTS
3	GEO	GHARIBADZE Koka TBL
3	GEO	CHKUASELIDZE Temuri TBL
5	GEO	SABULUA Tsotne TBL
5	GEO	JANGIRASHVILI Daviti TBL
7	GEO	QARTVELISHVILI Givi TBL
8	GEO	GOGIDZE Mikheili TBL



**Classement****Tournament of Honored Georgian Coach V. Adeishvili-Junio**

STYLE : GR 84 kg



1 - Or / Gold



KHETSURIANI Gurami KTS

2 - Argent / Silver



GUMBERIDZE Aleksandre KTS

3 - Bronze



GHARIBADZE Koka TBL CHKUASELIDZE Temuri TBL

<i>Classement</i>	<i>Nom - Name</i>	<i>Pays - Country</i>
1	KHETSURIANI G.	GEO
2	GUMBERIDZE A.	GEO
3	GHARIBADZE Koka TBL	GEO
3	CHKUASELIDZE T.	GEO
5	SABULUA Tsothe TBL	GEO
5	JANGIRASHVILI D.	GEO
7	QARTVELISHVILI G.	GEO
8	GOGIDZE M.	GEO



# Feuille de compétition / Competition Sheet

## Tournament of Honored Georgian Coach V. Adeishvili-Junio



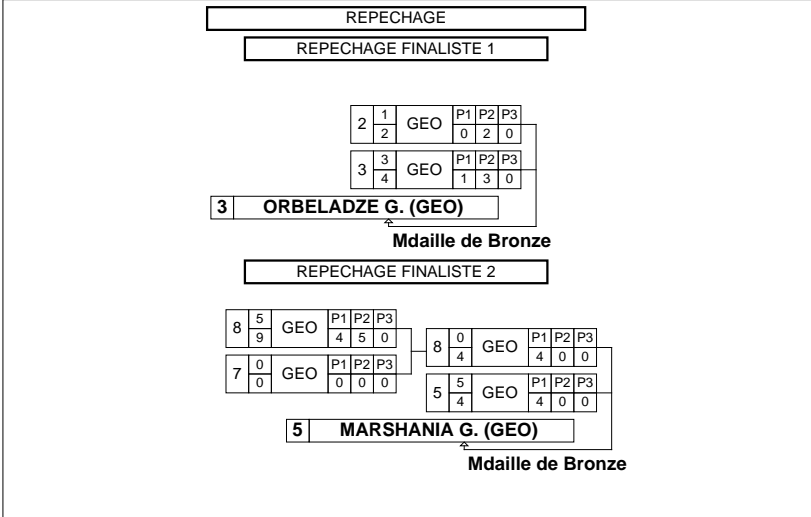
STYLE : GR 96 kg



9 BUKHRIKIDZE S. (GEO)

Classement

Cl	Pays	Nom
1	GEO	BUKHRIKIDZE Saba TBL
2	GEO	KALANDADZE Kakha OZRG
3	GEO	ORBELADZE Giorgi ZSTF
3	GEO	MARSHANIA Giorgi TBL
5	GEO	GIORGOBIANI Gurami TBL
5	GEO	SILAGADZE Zaza TBL
7	GEO	BOLGHASHVILI Giorgi RST
8	GEO	INASHVILI Bidzina TBL
9	GEO	SHPETISHVILI Beqa MRTK



**Classement****Tournament of Honored Georgian Coach V. Adeishvili-Junio**

STYLE : GR 96 kg

UNITED WORLD  
WRESTLING

1 - Or / Gold



BUKHRIKIDZE Saba TBL

2 - Argent / Silver



KALANDADZE Kakha OZRG

3 - Bronze



ORBELADZE Giorgi ZSTF    MARSHANIA Giorgi TBL

<i>Classement</i>	<i>Nom - Name</i>	<i>Pays - Country</i>
1	BUKHRIKIDZE S.	GEO
2	KALANDADZE K.	GEO
3	ORBELADZE G.	GEO
3	MARSHANIA G.	GEO
5	GIORGOBIANI G.	GEO
5	SILAGADZE Zaza TBL	GEO
7	BOLGHASHVILI G.	GEO
8	INASHVILI B.	GEO
9	SHPETISHVILI B.	GEO



**Classement par équipe / Teams ranking**

**Tournament of Honored Georgian Coach V. Adeishvili-Junio**

**STYLE GR**



<b>Rang</b>	<b>Equipe</b>	<b>120 KG</b>	<b>50 KG</b>	<b>55 KG</b>	<b>60 KG</b>	<b>66 KG</b>	<b>74 KG</b>	<b>84 KG</b>	<b>96 KG</b>	<b>TOTAL</b>
1	GEO	34	40	57	57	57	56	54	56	411