

# INTERNATIONAL TOURNAMENT WORLD CHAMP M. SALADZE



UNITED WORLD  
**WRESTLING**

TBILISI (GEO)

2016-10-21 - 2016-10-23 2016

Résultats - Results

**Lutte Greco-Romaine - Greco-Roman**



**Liste des arbitres / Referee list****International Tournament World Champ M. Saladze**

<b>N°</b>	<b>Licence</b>	<b>Pays Country</b>	<b>Nom - Last Name</b>	<b>Prénom - First Name</b>
		GEO	ABASHIDZE	Guram
		GEO	GOGBERASHVILI	Parmena
		GEO	KAZARASHVILI	Temo
		GEO	KHOZREVANIDZE	Mamuka
		GEO	KIKADZE	Koba
		GEO	KIPIANI	Tamaz
		GEO	KRAVEISHVILI	Vazha
		GEO	LOLADZE	Zaza
		GEO	ONIANI	Avto
		GEO	SVANIDZE	Amirani

Nombre d'arbitres - Number of Referee

10




Liste des nations / Countries List

International Tournament World Champ M. Saladze

STYLE GR



*Pays - Country*

	ARMENIA	ARM
	AZERBAIJAN	AZE
	GEORGIA	GEO
	RUSSIA	RUS

Nombre de nations - Number of Countries



**Nombre d'engagés par nation / Number of Entries By Country**

**International Tournament World Champ M. Saladze**

**STYLE GR**



**Nombre de nations - Number of Countries** 4





## Liste des Engagés par pays / Entry-List By Country

### International Tournament World Champ M. Saladze



#### STYLE GR

#### ARMENIA (ARM)

##### Lutteur(s) / Wrestler(s) :

100 kg	ATOYAN, Erik
42 kg	AKHOYAN, Misha ARAKELYAN, Rafik GRIGORYAN, Ambatsum
46 kg	KARAPETYAN, Robert OGANESYAN, Karen OGANESYAN, Garnik
50 kg	EDAZARYAN, Vartan HAKHOYAN, Garegin OVANESYAN, Misha SUKIASYAN, Gevorg VARTANYAN, Georgi
54 kg	ARATYAN, Hovhannes GEROYAN, Arman HARRAPETYAN, Artur
58 kg	KHACHATRYAN, Enrik
63 kg	ALEQSANYAN, Gurgen SARQISYAN, Samvel TAROSYAN, Artiom
69 kg	GHUKASYAN, Sarqis
76 kg	POGOSYAN, Vahe

#### AZERBAIJAN (AZE)

##### Lutteur(s) / Wrestler(s) :

42 kg	ALIAROV, Elchin JAFAROV, Hasrat
46 kg	GURBANOV, Gurban MAMADLI, Nihat
63 kg	JAFAROF, Vafadar MAMADLI, Hasan

#### GEORGIA (GEO)

##### Lutteur(s) / Wrestler(s) :

100 kg	AROSHIDZE, Iuri OZR BARBAQADZE, Kukuri OZR CHARGEISHVILI, Amirani TBL DAVITASHVILI, Daviti NORIO GOQADZE, Mate KTS JIMSHERISHVILI, Giorgi AKHM LABADZE, Koba TBL SILAGADZE, Elguja TBL SIRADZE, Saba OZR TSILOSANI, Nukri LNCH ORC ZOIDZE, Giorgi LNCH
38 kg	ABULADZE, Khvicha KHULO



## Liste des Engagés par pays / Entry-List By Country

### International Tournament World Champ M. Saladze



#### STYLE GR

	BOLQVADZE, Achiko AJR IREMADZE, Gocha OZR PAKSASHVILI, Luka SRTCH QURDADZE, Saba RST SHERMADINI, Avto RST SOLOMONIDZE, Tornike KHULO
42 kg	BENIDZE, Nugzari AJR FERADZE, Luka TBL GOGILAVA, Muradi KHOBİ GOGINASHVILI, Lasha TBL KHACHIDZE, Dimitri BRJ LILO LATIBASHVILI, Giga RST MARGOSHVILI, Zelimkhan AKHM MIQELADZE, Tornike TSLK NOZADZE, Tamazi RST OBOLADZE, Kakhaber BGDD SHPETISHVILI, Giorgi TBL SHPETISHVILI, Davit TBL TSERETELI, Giorgi CHTR
46 kg	ABRAMISHVILI, Levani NORIO ABULADZE, Firuzi AJR AGUMAVA, Giorgi KHOBİ BABİLODZE, Daviti RST BENIDZE, Nukri AJR BOLQVADZE, Lasha KHULO BROLADZE, Nika AJR CHKHIKVADZE, Diego AJR DALAQISHVILI, Aleko TBL GAMJASHVILI, Gurami NOROI GHELEKVA, Luka OZR GORGADZE, Manuchari OZR KHARABADZE, Giorgi TBL KHOZREVANIDZE, Temuri AJR KIKNADZE, Luka TBL OCHIGAVA, Luka SNK OKUJAVA, Tsotne SNK ONANASHVILI, Roma TBL POGHOSYAN, Gevork TBL QOPILASHVILI, Luka NORIO SABIASHVILI, Saba TBL SHAVADZE, Beqa AJR SOLOMONIDZE, Vitali KHULO TABATADZE, Nika SRTCH TOKHADZE, Giorgi OZR
50 kg	ABRAMISHVILI, Gurami NORIO ABULADZE, Levan OZRG BATSATSASHVILI, Luka TBL BERIDZE, Saba KHULO BEZHANISHVILI, Tamazi MRTK BİBİLAEVI, Beso RST BİDZİNASHVILI, Avtandili SRTCH BODZASHVILI, Daviti TBL CHKHIKVADZE, Giorgi SNK CHOKHELI, Mate TBL GELASHVILI, Daviti TBL GURULI, Nika TBL JANELIDZE, Romani KTS KHARANAULI, Mate TBL MACHARASHVILI, Giorgi LILO MCHEDLISHVILI, Daviti MRTK



## Liste des Engagés par pays / Entry-List By Country

### International Tournament World Champ M. Saladze



#### STYLE GR

	NEMSADZE, Saba AJR OSIASHVILI, Akaki GARD SAKVARELIDZE, Giorgi ZSTF SKHIRTLADZE, Guga ONI TSETSKHLADZE, Irakli AJR ZAQAIDZE, Beqa TBL
54 kg	ABASHIDZE, Goga AJR AMIRASLANOVI, Gulo RST ANANIDZE, Khvicha KHULO CHAGHALIDZE, Edisheri AJR GAMJASHVILI, Giorgi GRDB GELASHVILI, Beqa KHSR GIORGADZE, Giorgi OZR GURULI, Beqa RST KANDELAKI, Rati NORIO KHOZREVANIDZE, Merabi AJR KHURTSIDZE, Anzori OZRG KONCHARIA, Korneli KHOBI KUCHAVA, Gia FOTI LIPARTELIANI, Beqa OZRG LOMIDZE, Davit SRTCH MAISURADZE, Dato TBL MELELASHVILI, Beqa NORIO MESKHISHVILI, Eldari ZSTF OQROMCHEDLISHVILI, Nodari TBL QAVTARADZE, Tsotne SNK SERGIA, Spartaki KHOBI SHAVADZE, Bichiko AJR TSERETELI, Gogia TBL TSOTSERIA, Malkhazi KHOBI TURMANIDZE, Temuri AJR
58 kg	ABASHIDZE, Goga AJR BAKOEVI, Roma TBL BENDIANISHVILI, Mishiko ONI ORC BENDIANISHVILI, Giorgi ONI CHAAVA, Giorgi SNK IREMADZE, Ramazi AJR IREMADZE, Anzori AJR KAPANADZE, Amiran BGDD KHAKHIASHVILI, Avto MRTK KHOROISHVILI, Dato AJR KOPELASHVILI, Saba GRDB LIPARTELIANI, Luka LNCH MELADZE, Malkhazi LILO NAKASHIA, Irakli KHOBI PERTAIA, Giorgi ZSTF ORC QATAMADZE, Tamazi OZRG SHANAVA, Luka LILO TAVARTQILADZE, Koba KHULO TURQISHVILI, Giorgi MRTK TUTBERIDZE, Mamuka KTS
63 kg	ABULADZE, Otari KHULO BOLQVADZE, Guga OZR CHIKHLADZE, Vakhtang KTS CHOKHELI, Gigi TBL GELKHVIDZE, Mirza BGDD GHUGHUNISHVILI, Shmagi CHTR GIORGADZE, Giorgi GRDB IREMADZE, Gia AJR JIJASHVILI, Giorgi OZR



## Liste des Engagés par pays / Entry-List By Country

### International Tournament World Champ M. Saladze



#### STYLE GR

	KHARAISHVILI, Goga FOTI KHARATISHVILI, Giorgi TBL KHAZHOMIA, Gia KTS MARKOIDZE, Giorgi AJR MJAVANADZE, Giorgi TBL NAZHGHARIDZE, Giorgi NORIO PERTAKHIA, Goga KHOBI QUTATELADZE, Onise TSKLT SANIKIDZE, Tamaz TBL SHANAVA, Nika TBL SHAVADZE, Saba TBL SHERBAKOVI, Nika TBL ORC SHPETISHVILI, Giorgi MRTK SHUBASHISHVILI, Antoni NORIO SOFROMADZE, Kote TBL TAVADZE, Lasha LNCH TOLORDAVA, Luka TBL TSOFURASHVILI, Beqa TBL TSUTSASHVILI, Mukhmad AKHM USHARIDZE, Nukri RST VASHAKIDZE, Irakli TBL VASHAKMADZE, Khvicha AJR ZOIDZE, Bacha OZR
69 kg	AFKHADZE, Giorgi TSKLT BESHIDZE, Beqa GRDB BOLQVADZE, Lasha AJR CHIBURDANIDZE, Lasha TBL FIFIA, Nikoloz TBL GAVASHELASHVILI, Shota TRJ GEJADZE, Luka AFKH GOGOKHIA, Temuri KHOBI GURGENIDZE, Mindia ZSTF KHAKHIASHVILI, Jabana MRTK KIPIANI, Giorgi ZST LOLADZE, Givi KTS MASURASHVILI, Nika TBL MSHVILDADZE, Nikoloz BGDD NOZADZE, Giorgi TBL SIRADZE, Omari OZR SOLOGHASHVILI, Daviti MRTK TSIKLAURI, Rati OZR TSITSRIASHVILI, Ilia TBL
76 kg	BADALASHVILI, Daviti TBL GABIDAURI, Luka TBL GAIKHARASHVILI, Ilia MRTK GELASHVILI, Giorgi SRTCH GIORGADZE, Valeriani KTS KAMKAMIDZE, Kakha TBL KHVITARIA, Beqa TBL KUPROSHVILI, Goga KTS LIANOZOVI, Giorgi TBL MEBONIA, Mikheili AFKH METREVELI, Giorgi ONI METREVELI, Lasha ONI MGALOBlishVILI, Luka AJR ROKHVADZE, Nodari KTS RURUA, Gela SNK SHENGELIA, Omiko SNK SITCHINAVA, Kota TBL TSOFURASHVILI, Giorgi NORIO TVILDIANI, Lasha TBL





Liste des Engagés par pays / Entry-List By Country

International Tournament World Champ M. Saladze



STYLE GR

85 kg

ZAQARIADZE, Luka OZR  
AFTSIAURI, Nika TBL  
ALBORISHVILI, Gigi TSKLT  
BAGHDAVADZE, Saba TBL ORC  
CHITADZE, Dito KTS  
CHKHEIDZE, Elguja KHLVCH  
DIASAMIDZE, Nika AJR  
GHLONTI, Saba OZR  
GRDZELIDZE, Otari AJR  
IASHVILI, Temuri TBL  
KHUTSISHVILI, Luka MRTK  
MAMULADZE, Beglari KHLCH  
SHARTAVA, Luka TBL  
SHUBITIDZE, Giorgi AFKH  
TSINTSADZE, Tsothe OZR  
VASHAKIDZE, Jemali TBL

**RUSSIA (RUS)**

**Lutteur(s) / Wrestler(s) :**

46 kg	KAZAEV, Aleksii
50 kg	KARSANOV, Inal
54 kg	GUKAEV, David
58 kg	ARAKELOV, Levan



# Feuille de compétition / Competition Sheet

## International Tournament World Champ M. Saladze



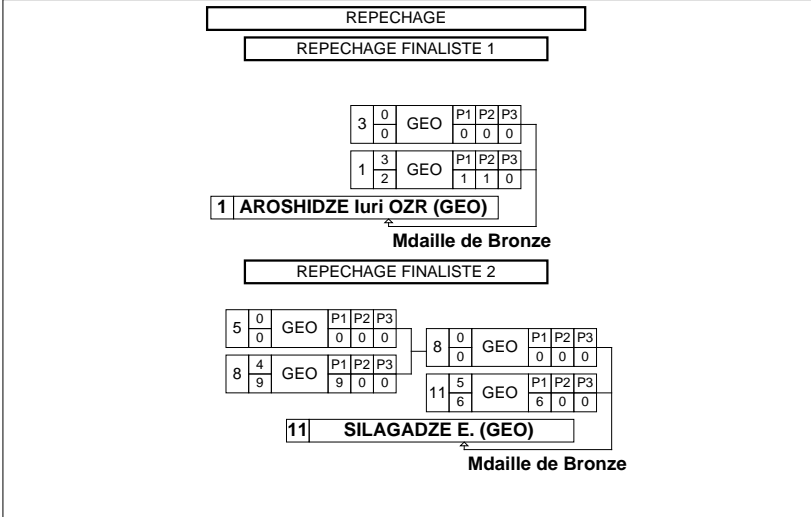
STYLE : GR 100 kg



6 ZOIDZE Giorgi LNCH (GEO)

Classement

Cl	Pays	Nom
1	GEO	ZOIDZE Giorgi LNCH
2	GEO	GOQADZE Mate KTS
3	GEO	AROSHIDZE Iuri OZR
3	GEO	SILAGADZE Elguja TBL
5	GEO	JIMSHERISHVILI Giorgi AKHM
5	GEO	LABADZE Koba TBL
7	GEO	BARBAQADZE Kukuri OZR
8	ARM	ATOYAN Erik
9	GEO	SIRADZE Saba OZR
10	GEO	DAVITASHVILI Daviti NORIO
11	GEO	CHARGEISHVILI Amirani TBL
12	GEO	TSILOSANI Nukri LNCH ORC



**Classement****International Tournament World Champ M. Saladze**

STYLE : GR 100 kg

UNITED WORLD  
WRESTLING**1 - Or / Gold**

ZOIDZE Giorgi LNCH

**2 - Argent / Silver**

GOQADZE Mate KTS

**3 - Bronze**

AROSHIDZE Iuri OZR



SILAGADZE Elguja TBL

<b>Classement</b>	<b>Nom - Name</b>	<b>Pays - Country</b>
1	ZOIDZE Giorgi LNCH	GEO
2	GOQADZE Mate KTS	GEO
3	AROSHIDZE Iuri OZR	GEO
3	SILAGADZE E.	GEO
5	JIMSHERISHVILI G.	GEO
5	LABADZE Koba TBL	GEO
7	BARBAQADZE K.	GEO
8	ATOYAN Erik	ARM
9	SIRADZE Saba OZR	GEO
10	DAVITASHVILI D.	GEO
11	CHARGEISHVILI A.	GEO
12	TSILOSANI N.	GEO



# Feuille de compétition / Competition Sheet

## International Tournament World Champ M. Saladze

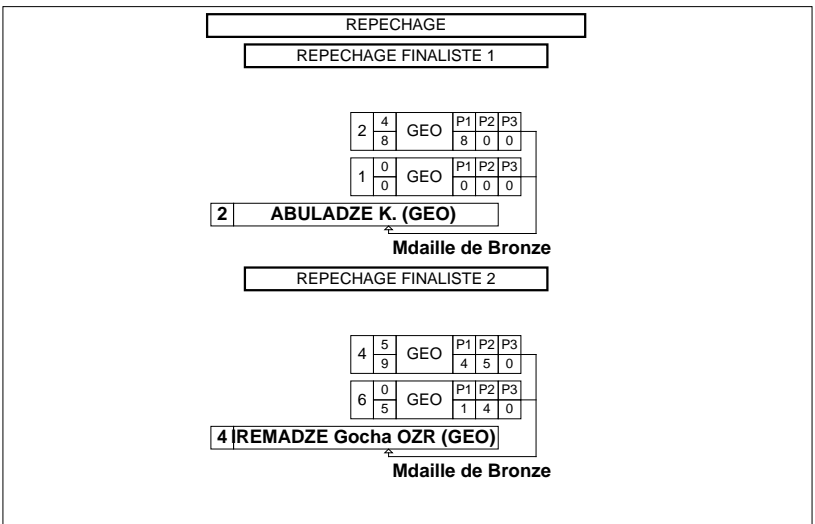


STYLE : GR 38 kg



### Classement

Cl	Pays	Nom
1	GEO	BOLQVADZE Achiko AJR
2	GEO	SOLOMONIDZE Tornike KHULO
3	GEO	ABULADZE Khvicha KHULO
3	GEO	IREMADZE Gocha OZR
5	GEO	PAKSASHVILI Luka SRTCH
5	GEO	SHERMADINI Avto RST
7	GEO	QURDADZE Saba RST



**Classement****International Tournament World Champ M. Saladze**

STYLE : GR 38 kg

UNITED WORLD  
WRESTLING**1 - Or / Gold**

BOLQVADZE Achiko AJR

**2 - Argent / Silver**

SOLOMONIDZE Tornike KHULO

**3 - Bronze**

ABULADZE Khvicha KHULO IREMADZE Gocha OZR

<i>Classement</i>	<i>Nom - Name</i>	<i>Pays - Country</i>
1	BOLQVADZE A.	GEO
2	SOLOMONIDZE T.	GEO
3	ABULADZE K.	GEO
3	IREMADZE Gocha OZR	GEO
5	PAKSASHVILI L.	GEO
5	SHERMADINI Avto RST	GEO
7	QURDADZE Saba RST	GEO



UNITED WORLD  
WRESTLING

# Feuille de compétition / Competition Sheet

## International Tournament World Champ M. Saladze



STYLE : GR 42 kg

QUALIFICATION		1/8 FINALE		1/4 FINALE		1/2 FINALE		FINALE			
1	GRIGORYAN Ambatsum (ARM)			1	0 0	ARM	P1 0	P2 0	P3 0		
2	JAFAROV Hasrat (AZE)			2	4 8	AZE	P1 8	P2 0	P3 0		
3	BENIDZE N. (GEO)			3	5 4	GEO	P1 4	P2 0	P3 0		
4	OBOLADZE K. (GEO)			4	0 0	GEO	P1 0	P2 0	P3 0		
5	SHPETISHVILI D. (GEO)			5	0 0	GEO	P1 0	P2 0	P3 0		
6	MIQELADZE T. (GEO)			6	4 8	GEO	P1 8	P2 0	P3 0		
7	GOGINASHVILI L. (GEO)			7	0 0	GEO	P1 0	P2 0	P3 0		
8	MARGOSHVILI Z. (GEO)			8	4 11	GEO	P1 11	P2 0	P3 0		
9	ARAKELIAN Rafik (ARM)			9	0 5	ARM	P1 5	P2 0	P3 0		
10	GOGILAVA M. (GEO)			10	1 1	GEO	P1 1	P2 0	P3 0		
11	SHPETISHVILI G. (GEO)			11	0 0	GEO	P1 0	P2 0	P3 0		
12	AKHOYAN Misha (ARM)			12	4 8	ARM	P1 8	P2 0	P3 0		
13	NOZADZE Tamazi RST (GEO)			13	5 4	GEO	P1 4	P2 0	P3 0		
14	TSERETELI G. (GEO)			14	0 2	GEO	P1 2	P2 0	P3 0		
15	4 11	KHACHIDZE D. (GEO)	P1 11	P2 0	P3 0	15	4 13	GEO	P1 13	P2 0	P3 0
16	0 0	FERADZE Luka TBL (GEO)	P1 0	P2 0	P3 0	16	5 6	GEO	P1 6	P2 0	P3 0
17	5 6	ALIAROV Elchin (AZE)	P1 6	P2 0	P3 0	17	1 2	AZE	P1 2	P2 0	P3 0
18	0 2	LATIBASHVILI G. (GEO)	P1 2	P2 0	P3 0	18	4 9	GEO	P1 9	P2 0	P3 0

2 JAFAROV Hasrat (AZE)

### Classement

Cl	Pays	Nom
1	AZE	JAFAROV Hasrat
2	GEO	KHACHIDZE Dimitri BRJ LILO
3	ARM	GRIGORYAN Ambatsum
3	AZE	ALIAROV Elchin
5	GEO	MIQELADZE Tornike TSLK
5	ARM	AKHOYAN Misha
7	GEO	GOGILAVA Muradi KHOBI
8	GEO	NOZADZE Tamazi RST
9	GEO	BENIDZE Nugzari AJR
10	GEO	MARGOSHVILI Zelimkhan AKHM
11	GEO	FERADZE Luka TBL
12	ARM	ARAKELIAN Rafik
13	GEO	TSERETELI Giorgi CHTR
14	GEO	LATIBASHVILI Giga RST
15	GEO	OBOLADZE Kakhaber BGDD
16	GEO	SHPETISHVILI Giorgi TBL
16	GEO	SHPETISHVILI Davit TBL
18	GEO	GOGINASHVILI Lasha TBL

### REPECHAGE

REPECHAGE FINALISTE 1

1	5 4	ARM	P1 4	P2 0	P3 0
3	0 0	GEO	P1 0	P2 0	P3 0
1	3 9	ARM	P1 4	P2 5	P3 0
6	1 6	GEO	P1 2	P2 4	P3 0

**1 GRIGORYAN Ambatsum (ARM)**

Mdaille de Bronze

REPECHAGE FINALISTE 2

16	1 2	GEO	P1 2	P2 0	P3 0
17	4 10	AZE	P1 10	P2 0	P3 0
17	5 6	AZE	P1 6	P2 0	P3 0
13	0 1	GEO	P1 1	P2 0	P3 0
17	4 8	AZE	P1 8	P2 0	P3 0
12	1 5	ARM	P1 0	P2 5	P3 0

**17 ALIAROV Elchin (AZE)**

Mdaille de Bronze

**Classement****International Tournament World Champ M. Saladze**

STYLE : GR 42 kg

**1 - Or / Gold**

JAFAROV Hasrat

**2 - Argent / Silver**

KHACHIDZE Dimitri BRJ LILO

**3 - Bronze**

GRIGORYAN Ambatsum



ALIAROV Elchin

<i>Classement</i>	<i>Nom - Name</i>	<i>Pays - Country</i>
1	JAFAROV Hasrat	AZE
2	KHACHIDZE D.	GEO
3	GRIGORYAN Ambatsum	ARM
3	ALIAROV Elchin	AZE
5	MIQELADZE T.	GEO
5	AKHOYAN Misha	ARM
7	GOGILAVA M.	GEO
8	NOZADZE Tamazi RST	GEO
9	BENIDZE Nugzari AJR	GEO
10	MARGOSHVILI Z.	GEO
11	FERADZE Luka TBL	GEO
12	ARAKELYAN Rafik	ARM
13	TSERETELI G.	GEO
14	LATIBASHVILI G.	GEO
15	OBOLADZE K.	GEO
16	SHPETISHVILI G.	GEO
16	SHPETISHVILI D.	GEO
18	GOGINASHVILI L.	GEO



UNITED WORLD  
WRESTLING

# Feuille de compétition / Competition Sheet

## International Tournament World Champ M. Saladze



STYLE : GR 46 kg

QUALIFICATION				1/8 FINALE				1/4 FINALE				1/2 FINALE				FINALE			
1																			
2	3																		
	2																		
3	1																		
	1																		
4	4																		
	8																		
5	0																		
	0																		
6	0																		
	0																		
7	4																		
	9																		
8	4																		
	8																		
9	0																		
	0																		
10	0																		
	0																		
11	4																		
	8																		
12	5																		
	4																		
13	0																		
	0																		
14	3																		
	9																		
15	1																		
	6																		
16	4																		
	8																		
17	0																		
	0																		
18	0																		
	0																		
19	4																		
	8																		
20	0																		
	0																		
21	5																		
	4																		
22	4																		
	8																		
23	0																		
	0																		
24	5																		
	8																		
25	0																		
	0																		
26	1																		
	3																		
27	3																		
	8																		
28	0																		
	0																		
29	4																		
	4																		
30	4																		
	8																		
31	0																		
	0																		

16 BOLQVADZE L. (GEO)

### Classement

Cl	Pays	Nom
1	GEO	BOLQVADZE Lasha KHULO
2	GEO	ABULADZE Firuzi AJR
3	GEO	CHKHIKVADZE Diego AJR
3	ARM	OGANESYAN Garnik
5	AZE	MAMADLI Nihat
5	GEO	OCHIGAVA Luka SNK
7	ARM	KARAPETYAN Robert
8	GEO	BROLADZE Nika AJR
9	GEO	GHELEKVA Luka OZR
10	GEO	SOLOMONIDZE Vitali KHULO
11	AZE	GURBANOV Gurban
12	GEO	AGUMAVA Giorgi KHOBI
13	ARM	OGANESYAN Karen
14	GEO	BENIDZE Nukri AJR
15	GEO	TOKHADZE Giorgi OZR
16	GEO	KHOZREVANIDZE Temuri AJR
17	GEO	BABILODZE Daviti RST
18	GEO	SHAVADZE Beqa AJR
19	GEO	KIKNADZE Luka TBL
19	GEO	ONANASHVILI Roma TBL
19	RUS	KAZAEV Aleksii
22	GEO	QOPIASHVILI Luka NORIO
22	GEO	GORGADZE Manuchari OZR
22	GEO	DALAQISHVILI Aleko TBL
22	GEO	POGHOSYAN Gevork TBL
22	GEO	TABATADZE Nika SRTCH
22	GEO	OKUJAVA Tshotne SNK
22	GEO	SABIASHVILI Saba TBL
29	GEO	ABRAMISHVILI Levani NORIO
30	GEO	GAMJASHVILI Gurami NORIO
31	GEO	KHARABADZE Giorgi TBL

### REPECHAGE

#### REPECHAGE FINALISTE 1

6	0																		
	0																		
4	4																		
	8																		
2	0																		
	0																		
11	3																		
	2																		

11 CHKHIKVADZE D. (GEO)

Mdaille de Bronze

#### REPECHAGE FINALISTE 2

17	0																		
	0																		
19	4																		
	8																		
22	1																		
	3																		
27	3																		
	4																		

27 OGANESYAN Garnik (ARM)

Mdaille de Bronze



**Classement****International Tournament World Champ M. Saladze**

STYLE : GR 46 kg

**1 - Or / Gold****BOLQVADZE Lasha KHULO****2 - Argent / Silver****ABULADZE Firuzi AJR****3 - Bronze****CHKHIKVADZE Diego AJR****OGANESYAN Garnik**

<i>Classement</i>	<i>Nom - Name</i>	<i>Pays - Country</i>
1	BOLQVADZE L.	GEO
2	ABULADZE Firuzi AJR	GEO
3	CHKHIKVADZE D.	GEO
3	OGANESYAN Garnik	ARM
5	MAMADLI Nihat	AZE
5	OCHIGAVA Luka SNK	GEO
7	KARAPETYAN Robert	ARM
8	BROLADZE Nika AJR	GEO
9	GHELEKVA Luka OZR	GEO
10	SOLOMONIDZE V.	GEO
11	GURBANOV Gurban	AZE
12	AGUMAVA G.	GEO
13	OGANESYAN Karen	ARM
14	BENIDZE Nukri AJR	GEO
15	TOKHADZE Giorgi OZR	GEO
16	KHOZREVANIDZE T.	GEO
17	BABILODZE D.	GEO
18	SHAVADZE Beqa AJR	GEO
19	KIKNADZE Luka TBL	GEO
19	ONANASHVILI R.	GEO
19	KAZAEV Aleksii	RUS
22	QOPILASHVILI L.	GEO
22	GORGADZE M.	GEO
22	DALAQISHVILI A.	GEO
22	POGHOSYAN G.	GEO
22	TABATADZE N.	GEO
22	OKUJAVA Tsotne SNK	GEO
22	SABIASHVILI S.	GEO
29	ABRAMISHVILI L.	GEO
30	GAMJASHVILI G.	GEO



**Classement**

**International Tournament World Champ M. Saladze**

**STYLE : GR 46 kg**



<b>Classement</b>	<b>Nom - Name</b>	<b>Pays - Country</b>
31	KHARABADZE G.	GEO



UNITED WORLD  
WRESTLING

# Feuille de compétition / Competition Sheet

## International Tournament World Champ M. Saladze



STYLE : GR 50 kg

QUALIFICATION		1/8 FINALE		1/4 FINALE		1/2 FINALE		FINALE	
1	HAKHOYAN Garegin (ARM)	1	4/8 ARM	1	4/10 ARM	1	1/1 ARM	5	1/1 GEO
2	KARSANOV Inal (RUS)	2	0/0 RUS	5	4/6 GEO	5	3/3 GEO	24	4/9 GEO
3	EDAZARYAN Vartan (ARM)	3	4/12 ARM	7	0/0 GEO	9	1/1 GEO		
4	ZAQAI DZE Beqa TBL (GEO)	4	1/4 GEO	9	1/1 GEO	15	0/0 GEO		
5	CHKHIKVADZE G. (GEO)	5	5/8 GEO	15	4/12 GEO	15	0/0 GEO		
6	BIDZINASHVILI A. (GEO)	6	1/2 GEO	15	4/8 GEO	24	4/7 GEO		
7	TSETSKHLADZE I. (GEO)	7	0/0 GEO	20	1/2 GEO	24	4/9 GEO		
8	BIBILAEVI Beso RST (GEO)	8	0/0 GEO	20	3/6 GEO				
9	ABRAMISHVILI G. (GEO)	9	3/3 GEO	21	0/0 GEO				
10	GELASHVILI D. (GEO)	10	0/0 GEO	21	0/0 GEO				
11	VARTANYAN Georgi (ARM)	11	1/2 ARM	24	4/7 GEO				
12	MCHEDLISHVILI D. (GEO)	12	1/1 GEO	24	5/5 GEO				
13	OVANESYAN Misha (ARM)	13	0/0 ARM	25	1/1 GEO				
14	KHARANAULI M. (GEO)	14	0/0 GEO	25	0/0 GEO				
15	NEMSA DZE Saba AJR (GEO)	15	4/8 GEO	27	1/4 ARM				
16	MACHARASHVILI G. (GEO)	16	0/0 GEO	27	4/10 ARM				
17	JANELIDZE R. (GEO)	17	1/10 GEO						
18	BODZASHVILI D. (GEO)	18	3/12 GEO						
19	SAKVARELIDZE G. (GEO)	19	0/0 GEO						
20	SKHIRT LADZE G. (GEO)	20	5/4 GEO						
21	ABULADZE L. (GEO)	21	3/6 GEO						
22	CHOKHELI Mate TBL (GEO)	22	0/0 GEO						
23	BERIDZE Saba KHULO (GEO)	23	0/0 GEO						
24	OSIASHVILI A. (GEO)	24	4/8 GEO						
25	BATSATSASHVILI L. (GEO)	25	5/5 GEO						
26	BEZHANISHVILI T. (GEO)	26	0/0 GEO						
27	SUKIASYAN Gevorg (ARM)	27	5/8 ARM						
28	GURULI Nika TBL (GEO)	28	0/0 GEO						

24 OSIASHVILI A. (GEO)

### Classement

Cl	Pays	Nom
1	GEO	OSIASHVILI Akaki GARD
2	GEO	CHKHIKVADZE Giorgi SNK
3	GEO	ABRAMISHVILI Gurami NORIO
3	ARM	SUKIASYAN Gevorg
5	ARM	HAKHOYAN Garegin
5	GEO	NEMSA DZE Saba AJR
7	GEO	SKHIRT LADZE Guga ONI
8	GEO	BATSATSASHVILI Luka TBL
9	GEO	BIDZINASHVILI Avtandili SRTCH
10	GEO	KHARANAULI Mate TBL
11	ARM	EDAZARYAN Vartan
12	GEO	BERIDZE Saba KHULO
13	GEO	TSETSKHLADZE Irakli AJR
14	GEO	MCHEDLISHVILI Daviti MRTK
15	GEO	BODZASHVILI Daviti TBL
16	GEO	ABULADZE Levan OZRG
17	GEO	JANELIDZE Romani KTS
18	GEO	ZAQAI DZE Beqa TBL
19	ARM	VARTANYAN Georgi
20	ARM	OVANESYAN Misha
21	GEO	SAKVARELIDZE Giorgi ZSTF
22	GEO	GELASHVILI Daviti TBL
22	GEO	BEZHANISHVILI Tamazi MRTK
24	GEO	CHOKHELI Mate TBL
25	GEO	GURULI Nika TBL
25	RUS	KARSANOV Inal
25	GEO	BIBILAEVI Beso RST
25	GEO	MACHARASHVILI Giorgi LILO

### REPECHAGE

#### REPECHAGE FINALISTE 1

6	4/8 GEO	6	1/1 GEO	9	3/6 GEO
7	0/0 GEO	9	3/5 GEO	1	0/0 ARM
<b>9 ABRAMISHVILI G. (GEO)</b>					

Mdaille de Bronze

#### REPECHAGE FINALISTE 2

23	4/8 GEO	27	3/4 ARM	27	4/8 ARM
21	0/0 GEO	27	3/4 ARM	15	0/0 GEO
<b>27 SUKIASYAN Gevorg (ARM)</b>					

Mdaille de Bronze

**Classement****International Tournament World Champ M. Saladze**

STYLE : GR 50 kg

**1 - Or / Gold**

OSIASHVILI Akaki GARD

**2 - Argent / Silver**

CHKHIKVADZE Giorgi SNK

**3 - Bronze**

ABRAMISHVILI Gurami NORIO SUKIASYAN Gevorg

<i>Classement</i>	<i>Nom - Name</i>	<i>Pays - Country</i>
1	OSIASHVILI A.	GEO
2	CHKHIKVADZE G.	GEO
3	ABRAMISHVILI G.	GEO
3	SUKIASYAN Gevorg	ARM
5	HAKHOYAN Garegin	ARM
5	NEMSADZE Saba AJR	GEO
7	SKHIRTLADZE G.	GEO
8	BATSATSASHVILI L.	GEO
9	BIDZINASHVILI A.	GEO
10	KHARANAULI Mate TBL	GEO
11	EDAZARYAN Vartan	ARM
12	BERIDZE Saba KHULO	GEO
13	TSETSKHLADZE I.	GEO
14	MCHEDLISHVILI D.	GEO
15	BODZASHVILI D.	GEO
16	ABULADZE Levan OZRG	GEO
17	JANELIDZE R.	GEO
18	ZAQAIDZE Beqa TBL	GEO
19	VARTANYAN Georgi	ARM
20	OVANESYAN Misha	ARM
21	SAKVARELIDZE G.	GEO
22	GELASHVILI D.	GEO
22	BEZHANISHVILI T.	GEO
24	CHOKHELI Mate TBL	GEO
25	GURULI Nika TBL	GEO
25	KARSANOV Inal	RUS
25	BIBILAEVI Beso RST	GEO
25	MACHARASHVILI G.	GEO



UNITED WORLD  
WRESTLING

# Feuille de compétition / Competition Sheet

## International Tournament World Champ M. Saladze



STYLE : GR 54 kg

QUALIFICATION			1/8 FINALE			1/4 FINALE			1/2 FINALE			FINALE		
1		TSOTSERIA M. (GEO)				1	0	GEO	P1	P2	P3			
							0		0	0	0			
2		KANDELAKI R. (GEO)				2	4	GEO	P1	P2	P3			
							8		8	0	0			
3		AMIRASLANOVI G. (GEO)				3	0	GEO	P1	P2	P3			
							0		0	0	0			
4	3	KUCHAVA Gia FOTI (GEO)	P1	P2	P3	4	4	GEO	P1	P2	P3			
	7		2	5	0		8		8	0	0			
5	1	SERGIA S. (GEO)	P1	P2	P3	4	8	GEO	P1	P2	P3			
	1		1	0	0				8	0	0			
6	4	LOMIDZE D. (GEO)	P1	P2	P3	6	3	GEO	P1	P2	P3			
	8		8	0	0		7		7	0	0			
7	0	LIPARTELIANI B. (GEO)	P1	P2	P3	9	1	ARM	P1	P2	P3			
	0		0	0	0		4		2	2	0			
8	0	GELASHVILI B. (GEO)	P1	P2	P3	9	4	ARM	P1	P2	P3			
	0		0	0	0				2	2	0			
9	5	GEROYAN Arman (ARM)	P1	P2	P3	11	0	GEO	P1	P2	P3			
	10		10	0	0		8		8	0	0			
10	1	SHAVADZE B. (GEO)	P1	P2	P3	11	8	GEO	P1	P2	P3			
	7		0	7	0				8	0	0			
11	3	OQROMCHEDLISHVILI N. (GEO)	P1	P2	P3	13	0	GEO	P1	P2	P3			
	10		2	0	8		0		0	0	0			
12	0	MAISURADZE D. (GEO)	P1	P2	P3	13	5	GEO	P1	P2	P3			
	0		0	0	0		8		4	4	0			
13	5	GAMJASHVILI G. (GEO)	P1	P2	P3	15	0	ARM	P1	P2	P3			
	4		4	0	0		0		0	0	0			
14	0	GURULI Beqa RST (GEO)	P1	P2	P3	17	3	ARM	P1	P2	P3			
	0		0	0	0		5		1	4	0			
15	5	ARATYAN Hovhannes (ARM)	P1	P2	P3	17	4	ARM	P1	P2	P3			
	8		2	6	0				4	0	0			
16	1	TURMANIDZE T. (GEO)	P1	P2	P3	17	5	ARM	P1	P2	P3			
	4		2	2	0				4	0	0			
17	4	HARRAPETYAN Artur (ARM)	P1	P2	P3	19	0	GEO	P1	P2	P3			
	14		2	12	0		0		0	0	0			
18	0	MESKHISHVILI E. (GEO)	P1	P2	P3	20	1	GEO	P1	P2	P3			
	0		0	0	0		4		0	4	0			
19	5	CHAGHALIDZE E. (GEO)	P1	P2	P3	20	3	GEO	P1	P2	P3			
	6		6	0	0		3		2	1	0			
20	3	QAVTARADZE T. (GEO)	P1	P2	P3	23	0	GEO	P1	P2	P3			
	6		6	0	0		2		2	0	0			
21	0	KONCHARIA K. (GEO)	P1	P2	P3	24	1	GEO	P1	P2	P3			
	0		0	0	0		1		1	0	0			
22	0	GIORGADZE G. (GEO)	P1	P2	P3	24	5	GEO	P1	P2	P3			
	2		2	0	0		11		5	6	0			
23	5	ABASHIDZE Goga AJR (GEO)	P1	P2	P3	26	5	GEO	P1	P2	P3			
	4		4	0	0		8		8	0	0			
24	5	KHURTSIDZE A. (GEO)	P1	P2	P3	26	4	GEO	P1	P2	P3			
	4		4	0	0		11		6	5	0			
25	0	GUKAEV David (RUS)	P1	P2	P3	28	0	GEO	P1	P2	P3			
	0		0	0	0		0		0	0	0			
26	4	ANANIDZE K. (GEO)	P1	P2	P3									
	8		6	2	0									
27	0	MELELASHVILI B. (GEO)	P1	P2	P3									
	0		0	0	0									
28	5	KHOZREVANIDZE M. (GEO)	P1	P2	P3									
	4		4	0	0									
29	0	TSERETELI G. (GEO)	P1	P2	P3									
	0		0	0	0									

26 ANANIDZE K. (GEO)

### Classement

Cl	Pays	Nom
1	GEO	ANANIDZE Khvicha KHULO
2	GEO	LOMIDZE Davit SRTCH
3	GEO	KANDELAKI Rati NORIO
3	ARM	HARRAPETYAN Artur
5	ARM	GEROYAN Arman
5	GEO	KHURTSIDZE Anzori OZRG
7	GEO	GAMJASHVILI Giorgi GRDB
8	GEO	KUCHAVA Gia FOTI
9	GEO	QAVTARADZE Tsotne SNK
10	GEO	KHOZREVANIDZE Merabi AJR
11	ARM	ARATYAN Hovhannes
12	GEO	CHAGHALIDZE Edisheri AJR
13	GEO	ABASHIDZE Goga AJR
14	GEO	MELELASHVILI Beqa NORIO
15	GEO	OQROMCHEDLISHVILI Nodari TBL
16	GEO	SHAVADZE Bichiko AJR
17	GEO	TURMANIDZE Temuri AJR
18	GEO	SERGIA Spartaki KHOBİ
19	GEO	GIORGADZE Giorgi OZR
20	GEO	MAISURADZE Dato TBL
20	RUS	GUKAEV David
20	GEO	TSERETELI Gogia TBL
23	GEO	KONCHARIA Korneli KHOBİ
23	GEO	MESKHISHVILI Eldari ZSTF
25	GEO	GURULI Beqa RST
25	GEO	TSOTSERIA Malkhazi KHOBİ
25	GEO	AMIRASLANOVI Gulo RST
28	GEO	GELASHVILI Beqa KHSHR
29	GEO	LIPARTELIANI Beqa OZRG

### REPECHAGE

#### REPECHAGE FINALISTE 1

7	0	GEO	P1	P2	P3	9	3	ARM	P1	P2	P3	9	0	ARM	P1	P2	P3
	0		0	0	0		5		4	1	0		9		4	5	0
9	5	ARM	P1	P2	P3	13	0	GEO	P1	P2	P3	2	5	GEO	P1	P2	P3
	6		6	0	0		0		0	0	0		8		1	7	0

2 KANDELAKI R. (GEO)

Mdaille de Bronze

#### REPECHAGE FINALISTE 2

27	3	GEO	P1	P2	P3	27	1	GEO	P1	P2	P3	24	0	GEO	P1	P2	P3
	4		2	2	0		1		0	1	0		0		0	0	0
28	1	GEO	P1	P2	P3	24	3	GEO	P1	P2	P3	17	4	ARM	P1	P2	P3
	4		0	4	0		7		3	4	0		8		3	5	0

17 HARRAPETYAN Artur (ARM)

Mdaille de Bronze

**Classement****International Tournament World Champ M. Saladze**

STYLE : GR 54 kg

**1 - Or / Gold**

ANANIDZE Khvicha KHULO

**2 - Argent / Silver**

LOMIDZE Davit SRTCH

**3 - Bronze**

KANDELAKI Rati NORIO



HARRAPETYAN Artur

<i>Classement</i>	<i>Nom - Name</i>	<i>Pays - Country</i>
1	ANANIDZE K.	GEO
2	LOMIDZE Davit SRTCH	GEO
3	KANDELAKI R.	GEO
3	HARRAPETYAN Artur	ARM
5	GEROYAN Arman	ARM
5	KHURTSIDZE A.	GEO
7	GAMJASHVILI G.	GEO
8	KUCHAVA Gia FOTI	GEO
9	QAVTARADZE T.	GEO
10	KHOZREVANIDZE M.	GEO
11	ARATYAN Hovhannes	ARM
12	CHAGHALIDZE E.	GEO
13	ABASHIDZE Goga AJR	GEO
14	MELELASHVILI B.	GEO
15	OQROMCHEDLISHVILI N.	GEO
16	SHAVADZE B.	GEO
17	TURMANIDZE T.	GEO
18	SERGIA S.	GEO
19	GIORGADZE G.	GEO
20	MAISURADZE Dato TBL	GEO
20	GUKAEV David	RUS
20	TSERETELI Gogia TBL	GEO
23	KONCHARIA K.	GEO
23	MESKHISHVILI E.	GEO
25	GURULI Beqa RST	GEO
25	TSOTSERIA M.	GEO
25	AMIRASLANOVI G.	GEO
28	GELASHVILI B.	GEO
29	LIPARTELIANI B.	GEO



UNITED WORLD  
WRESTLING

# Feuille de compétition / Competition Sheet

## International Tournament World Champ M. Saladze



STYLE : GR 58 kg

QUALIFICATION			1/8 FINALE			1/4 FINALE			1/2 FINALE			FINALE			
1		QATAMADZE T. (GEO)				1	5/4	GEO	P1/P2/P3	4/0/0	1	5/6	GEO	P1/P2/P3	4/2/0
2		TURQISHVILI G. (GEO)				2	0/0	GEO	P1/P2/P3	0/0/0	1	0/4	GEO	P1/P2/P3	4/0/0
3		KHOROISHVILI D. (GEO)				3	0/0	GEO	P1/P2/P3	0/0/0	4	0/11	GEO	P1/P2/P3	2/9/0
4		TAVARTQILADZE K. (GEO)				4	5/4	GEO	P1/P2/P3	4/0/0	5	0/0	GEO	P1/P2/P3	0/0/0
5		IREMADZE R. (GEO)				5	4/12	GEO	P1/P2/P3	8/4/0	5	5/4	GEO	P1/P2/P3	4/0/0
6		BENDIANISHVILI G. (GEO)				6	0/4	GEO	P1/P2/P3	4/0/0	5	5/4	GEO	P1/P2/P3	2/2/0
7		ABASHIDZE Goga AJR (GEO)				7	4/8	GEO	P1/P2/P3	8/0/0	7	0/0	GEO	P1/P2/P3	0/0/0
8		KAPANADZE A. (GEO)				8	0/0	GEO	P1/P2/P3	0/0/0	9	0/0	GEO	P1/P2/P3	0/0/0
9		LIPARTELIANI L. (GEO)				9	4/8	GEO	P1/P2/P3	8/0/0	14	4/8	GEO	P1/P2/P3	8/0/0
10		ARAKELOV Levan (RUS)				10	0/0	RUS	P1/P2/P3	0/0/0	14	3/6	GEO	P1/P2/P3	3/3/0
11	4/8	NAKASHIA I. (GEO)	P1/P2/P3	8/0/0	11	1/3	GEO	P1/P2/P3	3/0/0	14	3/9	GEO	P1/P2/P3	3/6/0	
12	0/0	BAKOEVI Roma TBL (GEO)	P1/P2/P3	0/0/0	14	3/6	GEO	P1/P2/P3	3/3/0	15	3/6	GEO	P1/P2/P3	6/0/0	
13	1/3	TUTBERIDZE M. (GEO)	P1/P2/P3	2/1/0	14	3/9	GEO	P1/P2/P3	3/6/0	15	0/0	GEO	P1/P2/P3	0/0/0	
14	3/8	PERTAIA G. (GEO)	P1/P2/P3	6/2/0	15	3/6	GEO	P1/P2/P3	6/0/0	22	0/0	GEO	P1/P2/P3	0/0/0	
15	3/2	CHAAVA Giorgi SNK (GEO)	P1/P2/P3	0/2/0	17	1/2	ARM	P1/P2/P3	1/1/0	22	4/9	GEO	P1/P2/P3	3/6/0	
16	1/2	MELADZE M. (GEO)	P1/P2/P3	1/1/0	19	1/4	GEO	P1/P2/P3	4/0/0	22	4/9	GEO	P1/P2/P3	3/6/0	
17	4/8	KHACHATRYAN Enrik (ARM)	P1/P2/P3	6/2/0	22	4/12	GEO	P1/P2/P3	4/8/0						
18	0/0	KOPELASHVILI S. (GEO)	P1/P2/P3	0/0/0											
19	3/4	KHAKHIASHVILI A. (GEO)	P1/P2/P3	4/0/0											
20	1/3	SHANAVA Luka LILO (GEO)	P1/P2/P3	0/3/0											
21	0/0	IREMADZE A. (GEO)	P1/P2/P3	0/0/0											
22	4/8	BENDIANISHVILI M. (GEO)	P1/P2/P3	6/2/0											

14 PERTAIA G. (GEO)

### Classement

Cl	Pays	Nom
1	GEO	PERTAIA Giorgi ZSTF ORC
2	GEO	IREMADZE Ramazi AJR
3	GEO	BENDIANISHVILI Giorgi ONI
3	GEO	BENDIANISHVILI Mishiko ONI ORC
5	GEO	TUTBERIDZE Mamuka KTS
5	GEO	QATAMADZE Tamazi OZRG
7	GEO	NAKASHIA Irakli KHOBI
8	GEO	CHAAVA Giorgi SNK
9	GEO	TAVARTQILADZE Koba KHULO
10	ARM	KHACHATRYAN Enrik
11	GEO	ABASHIDZE Goga AJR
12	GEO	LIPARTELIANI Luka LNCH
13	GEO	KHAKHIASHVILI Avto MRTK
14	GEO	SHANAVA Luka LILO
15	GEO	MELADZE Malkhazi LILO
16	GEO	KHOROISHVILI Dato AJR
16	GEO	TURQISHVILI Giorgi MRTK
18	GEO	BAKOEVI Roma TBL
18	RUS	ARAKELOV Levan
18	GEO	KAPANADZE Amiran BGDD
18	GEO	IREMADZE Anzori AJR
18	GEO	KOPELASHVILI Saba GRDB

### REPECHAGE

#### REPECHAGE FINALISTE 1

6	4/9	GEO	P1/P2/P3	5/4/0	6	5/4	GEO	P1/P2/P3	4/0/0
7	0/0	GEO	P1/P2/P3	0/0/0	1	0/0	GEO	P1/P2/P3	0/0/0
<b>6 BENDIANISHVILI G. (GEO)</b>									

Mdaille de Bronze

#### REPECHAGE FINALISTE 2

13	4/10	GEO	P1/P2/P3	10/0/0	13	4/9	GEO	P1/P2/P3	3/6/0	13	1/5	GEO	P1/P2/P3	1/4/0
11	1/1	GEO	P1/P2/P3	1/0/0	9	0/0	GEO	P1/P2/P3	0/0/0	22	3/10	GEO	P1/P2/P3	2/8/0
<b>22 BENDIANISHVILI M. (GEO)</b>														

Mdaille de Bronze

**Classement****International Tournament World Champ M. Saladze**

STYLE : GR 58 kg

**1 - Or / Gold**

PERTAIA Giorgi ZSTF ORC

**2 - Argent / Silver**

IREMADZE Ramazi AJR

**3 - Bronze**

BENDIANISHVILI Giorgi ONI ORC BENDIANISHVILI Mishiko ONI ORC

<i>Classement</i>	<i>Nom - Name</i>	<i>Pays - Country</i>
1	PERTAIA G.	GEO
2	IREMADZE Ramazi AJR	GEO
3	BENDIANISHVILI G.	GEO
3	BENDIANISHVILI M.	GEO
5	TUTBERIDZE M.	GEO
5	QATAMADZE T.	GEO
7	NAKASHIA I.	GEO
8	CHAAVA Giorgi SNK	GEO
9	TAVARTQILADZE K.	GEO
10	KHACHATRYAN Enrik	ARM
11	ABASHIDZE Goga AJR	GEO
12	LIPARTELIANI L.	GEO
13	KHAKHIASHVILI A.	GEO
14	SHANAVA Luka LILO	GEO
15	MELADZE M.	GEO
16	KHOROISHVILI D.	GEO
16	TURQISHVILI G.	GEO
18	BAKOEVI Roma TBL	GEO
18	ARAKELOV Levan	RUS
18	KAPANADZE A.	GEO
18	IREMADZE Anzori AJR	GEO
18	KOPELASHVILI S.	GEO







# Feuille de compétition / Competition Sheet

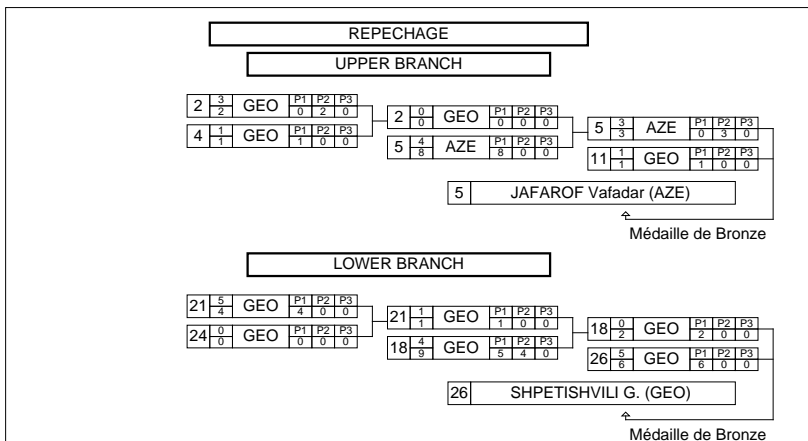
## International Tournament World Champ M. Saladze

STYLE : GR 63 kg



### Classement

Cl	Pays	Nom
1	GEO	SHERBAKOVI Nika TBL ORC
2	GEO	ABULADZE Otari KHULO
3	AZE	JAFAROF Vafadar
3	GEO	SHPETISHVILI Giorgi MRTK
5	GEO	TAVADZE Lasha LNCH
5	GEO	GIORGADZE Giorgi GRDB
7	GEO	CHIKHLADZE Vakhtang KTS
8	GEO	QUTATELADZE Onise TSKLT
9	GEO	GHUGHUNISHVILI Shmagi CHTR
10	GEO	NAZHGHARIDZE Giorgi NORIO
11	GEO	USHARIDZE Nukri RST
12	GEO	VASHAKIDZE Irakli TBL
13	GEO	PERTAKHIA Goga KHOB
14	GEO	KHARATISHVILI Giorgi TBL
15	GEO	SHANAVA Nika TBL
16	GEO	VASHAKMADZE Khvicha AJR
17	GEO	KHAZHOMIA Gia KTS
18	GEO	IREMADZE Gia AJR
19	GEO	BOLQVADZE Guga OZR
20	GEO	KHARAISHVILI Goga FOTI



**Classement****International Tournament World Champ M. Saladze**

STYLE : GR 63 kg

**1 - Or / Gold**

SHERBAKOVI Nika TBL ORC

**2 - Argent / Silver**

ABULADZE Otari KHULO

**3 - Bronze**

JAFAROF Vafadar



SHPETISHVILI Giorgi MRTK

<i>Classement</i>	<i>Nom - Name</i>	<i>Pays - Country</i>
1	SHERBAKOVI N.	GEO
2	ABULADZE O.	GEO
3	JAFAROF Vafadar	AZE
3	SHPETISHVILI G.	GEO
5	TAVADZE Lasha LNCH	GEO
5	GIORGADZE G.	GEO
7	CHIKHLADZE V.	GEO
8	QUTATELADZE O.	GEO
9	GHUGHUNISHVILI S.	GEO
10	NAZHGHARIDZE G.	GEO
11	USHARIDZE Nukri RST	GEO
12	VASHAKIDZE I.	GEO
13	PERTAKHIA G.	GEO
14	KHARATISHVILI G.	GEO
15	SHANAVA Nika TBL	GEO
16	VASHAKMADZE K.	GEO
17	KHAZHOMIA Gia KTS	GEO
18	IREMADZE Gia AJR	GEO
19	BOLQVADZE Guga OZR	GEO
20	KHARAIHVILI G.	GEO
21	SOFROMADZE Kote TBL	GEO
22	SARQISYAN Samvel	ARM
23	SHAVADZE Saba TBL	GEO
24	TAROSYAN Artiom	ARM
25	MJAVANADZE G.	GEO
26	GELKHVIDZE M.	GEO
27	MAMADLI Hasan	AZE
28	ZOIDZE Bacha OZR	GEO
29	ALEQSANYAN Gurgen	ARM
30	SHUBASHISHVILI A.	GEO



## Classement

### International Tournament World Champ M. Saladze

STYLE : GR 63 kg



<i>Classement</i>	<i>Nom - Name</i>	<i>Pays - Country</i>
31	SANIKIDZE Tamaz TBL	GEO
32	TOLORDAVA Luka TBL	GEO
33	JJIASHVILI G.	GEO
34	TSUTSASHVILI M.	GEO
35	TSOFURASHVILI B.	GEO
36	CHOKHELI Gigi TBL	GEO
37	MARKOIDZE G.	GEO



UNITED WORLD  
WRESTLING

# Feuille de compétition / Competition Sheet

## International Tournament World Champ M. Saladze



STYLE : GR 69 kg

QUALIFICATION		1/8 FINALE	1/4 FINALE	1/2 FINALE	FINALE
1	LOLADZE Givi KTS (GEO)	1 3 6 GEO	1 0 0 GEO	3 1 1 GEO	6 4 9 GEO
2	BOLQVADZE L. (GEO)	2 0 0 GEO	1 0 0 GEO	3 1 1 GEO	6 4 9 GEO
3	GOGOKHIA T. (GEO)	3 3 3 GEO	3 5 9 GEO	6 3 3 GEO	6 4 9 GEO
4	KHAKHIAHVILI J. (GEO)	4 1 1 GEO	3 5 9 GEO	6 3 3 GEO	6 4 9 GEO
5	TSITSRIASHVILI I. (GEO)	5 0 0 GEO	8 0 0 ARM	6 3 3 GEO	6 4 9 GEO
6	NOZADZE Giorgi TBL (GEO)	6 4 8 GEO	8 0 0 ARM	6 3 3 GEO	6 4 9 GEO
7	AFKHADZE G. (GEO)	7 0 3 GEO	11 5 10 GEO	11 3 10 GEO	11 0 0 GEO
8	GHUKASYAN sarqis (ARM)	8 5 6 ARM	11 4 8 GEO	11 3 10 GEO	11 0 0 GEO
9	CHIBURDANIDZE L. (GEO)	9 0 0 GEO	12 0 0 GEO	11 3 10 GEO	11 0 0 GEO
10	TSIKLAURI Rati OZR (GEO)	10 3 5 GEO	12 0 0 GEO	11 3 10 GEO	11 0 0 GEO
11	SIRADZE Omari OZR (GEO)	11 5 10 GEO	13 4 8 GEO	11 3 10 GEO	11 0 0 GEO
12	BESHIDZE Beqa GRDB (GEO)	12 0 0 GEO	13 4 8 GEO	11 3 10 GEO	11 0 0 GEO
13	SOLOGHASHVILI D. (GEO)	13 4 9 GEO	13 4 8 GEO	11 3 10 GEO	11 0 0 GEO
14	KIPIANI Giorgi ZST (GEO)	14 0 0 GEO	15 0 0 GEO	11 3 10 GEO	11 0 0 GEO
15	FIFIA Nikoloz TBL (GEO)	15 0 0 GEO	17 1 4 GEO	11 3 10 GEO	11 0 0 GEO
16	MASURASHVILI N. (GEO)	16 0 0 GEO	17 1 4 GEO	11 3 10 GEO	11 0 0 GEO
17	MSHVILDADZE N. (GEO)	17 4 8 GEO	20 0 0 GEO	11 3 10 GEO	11 0 0 GEO
18	GURGENIDZE M. (GEO)	18 0 0 GEO	20 0 0 GEO	11 3 10 GEO	11 0 0 GEO
19	GAVASHELASHVILI S. (GEO)	19 1 7 GEO	20 0 0 GEO	11 3 10 GEO	11 0 0 GEO
20	GEJADZE Luka AFKH (GEO)	20 3 8 GEO	20 0 0 GEO	11 3 10 GEO	11 0 0 GEO

6 NOZADZE Giorgi TBL (GEO)

### Classement

Cl	Pays	Nom
1	GEO	NOZADZE Giorgi TBL
2	GEO	SIRADZE Omari OZR
3	GEO	GOGOKHIA Temuri KHOBI
3	GEO	BESHIDZE Beqa GRDB
5	GEO	SOLOGHASHVILI Daviti MRTK
5	ARM	GHUKASYAN sarqis
7	GEO	GEJADZE Luka AFKH
8	GEO	MSHVILDADZE Nikoloz BGDD
9	GEO	FIFIA Nikoloz TBL
10	GEO	LOLADZE Givi KTS
11	GEO	TSIKLAURI Rati OZR
12	GEO	GAVASHELASHVILI Shota TRJ
13	GEO	KHAKHIAHVILI Jabana MRTK
14	GEO	AFKHADZE Giorgi TSKLT
15	GEO	CHIBURDANIDZE Lasha TBL
16	GEO	KIPIANI Giorgi ZST
16	GEO	BOLQVADZE Lasha AJR
18	GEO	GURGENIDZE Mindia ZSTF
18	GEO	MASURASHVILI Nika TBL
20	GEO	TSITSRIASHVILI Iliia TBL

### REPECHAGE

#### REPECHAGE FINALISTE 1

5 0 0 GEO	8 1 3 ARM	3 3 4 GEO
8 5 4 ARM	3 3 4 GEO	
<b>3 GOGOKHIA T. (GEO)</b>		

Mdaille de Bronze

#### REPECHAGE FINALISTE 2

12 4 9 GEO	10 0 0 GEO	13 0 0 GEO
12 4 9 GEO	10 0 0 GEO	
<b>12 BESHIDZE Beqa GRDB (GEO)</b>		

Mdaille de Bronze

**Classement****International Tournament World Champ M. Saladze**

STYLE : GR 69 kg

UNITED WORLD  
WRESTLING**1 - Or / Gold**

NOZADZE Giorgi TBL

**2 - Argent / Silver**

SIRADZE Omari OZR

**3 - Bronze**

GOGOKHIA Temuri KHOBI    BESHIDZE Beqa GRDB

<i>Classement</i>	<i>Nom - Name</i>	<i>Pays - Country</i>
1	NOZADZE Giorgi TBL	GEO
2	SIRADZE Omari OZR	GEO
3	GOGOKHIA T.	GEO
3	BESHIDZE Beqa GRDB	GEO
5	SOLOGHASHVILI D.	GEO
5	GHUKASYAN sarqis	ARM
7	GEJADZE Luka AFKH	GEO
8	MSHVILDADZE N.	GEO
9	FIFIA Nikolozi TBL	GEO
10	LOLADZE Givi KTS	GEO
11	TSIKLAURI Rati OZR	GEO
12	GAVASHELASHVILI S.	GEO
13	KHAKHIASHVILI J.	GEO
14	AFKHADZE G.	GEO
15	CHIBURDANIDZE L.	GEO
16	KIPIANI Giorgi ZST	GEO
16	BOLQVADZE Lasha AJR	GEO
18	GURGENIDZE M.	GEO
18	MASURASHVILI N.	GEO
20	TSITSRIASHVILI I.	GEO



UNITED WORLD  
WRESTLING

# Feuille de compétition / Competition Sheet

## International Tournament World Champ M. Saladze



STYLE : GR 76 kg

QUALIFICATION		1/8 FINALE	1/4 FINALE	1/2 FINALE	FINALE
1	TVILDIANI L. (GEO)	1 5 0 GEO	1 0 0 GEO	3 0 0 GEO	7 1 0 GEO
2	GIORGADZE V. (GEO)	2 0 0 GEO	3 4 8 GEO	7 4 8 GEO	20 3 3 GEO
3	MGALOBlishvili L. (GEO)	3 4 15 GEO	7 4 8 GEO	11 0 0 GEO	20 3 3 GEO
4	GABIDAURI Luka TBL (GEO)	4 1 4 GEO	11 5 11 GEO	20 4 8 GEO	20 3 3 GEO
5	KHVITARIA Beqa TBL (GEO)	5 3 8 GEO	11 3 5 GEO	20 4 8 GEO	20 3 3 GEO
6	ROKHVADZE N. (GEO)	6 1 6 GEO	11 3 5 GEO	20 4 8 GEO	20 3 3 GEO
7	TSOFURASHVILI G. (GEO)	7 4 8 GEO	11 3 5 GEO	20 4 8 GEO	20 3 3 GEO
8	KAMKAMIDZE K. (GEO)	8 0 0 GEO	11 3 5 GEO	20 4 8 GEO	20 3 3 GEO
9	LIANOZOVI G. (GEO)	9 5 8 GEO	11 3 5 GEO	20 4 8 GEO	20 3 3 GEO
10	MEBONIA M. (GEO)	10 0 6 GEO	11 3 5 GEO	20 4 8 GEO	20 3 3 GEO
11	METREVELI L. (GEO)	11 5 11 GEO	11 3 5 GEO	20 4 8 GEO	20 3 3 GEO
12	GAIKHARASHVILI I. (GEO)	12 5 4 GEO	11 3 5 GEO	20 4 8 GEO	20 3 3 GEO
13	GELASHVILI G. (GEO)	13 0 0 GEO	11 3 5 GEO	20 4 8 GEO	20 3 3 GEO
14	BADALASHVILI D. (GEO)	14 0 0 GEO	11 3 5 GEO	20 4 8 GEO	20 3 3 GEO
15	RURUA Gela SNK (GEO)	15 4 8 GEO	11 3 5 GEO	20 4 8 GEO	20 3 3 GEO
16	KUPROSHVILI G. (GEO)	16 0 0 GEO	11 3 5 GEO	20 4 8 GEO	20 3 3 GEO
17	SHENGELIA O. (GEO)	17 4 8 GEO	11 3 5 GEO	20 4 8 GEO	20 3 3 GEO
18	SITCHINAVA K. (GEO)	18 0 1 GEO	11 3 5 GEO	20 4 8 GEO	20 3 3 GEO
19	METREVELI G. (GEO)	19 5 6 GEO	11 3 5 GEO	20 4 8 GEO	20 3 3 GEO
20	ZAQARIADZE L. (GEO)	20 3 12 GEO	11 3 5 GEO	20 4 8 GEO	20 3 3 GEO
21	POGOSYAN Vahe (ARM)	21 1 4 GEO	11 3 5 GEO	20 4 8 GEO	20 3 3 GEO

20 ZAQARIADZE L. (GEO)

### Classement

Cl	Pays	Nom
1	GEO	ZAQARIADZE Luka OZR
2	GEO	TSOFURASHVILI Giorgi NORIO
3	GEO	KHVITARIA Beqa TBL
3	ARM	POGOSYAN Vahe
5	GEO	METREVELI Lasha ONI
5	GEO	MGALOBlishvili Luka AJR
7	GEO	RURUA Gela SNK
8	GEO	LIANOZOVI Giorgi TBL
9	GEO	GAIKHARASHVILI Iliia MRTK
10	GEO	METREVELI Giorgi ONI
11	GEO	SHENGELIA Omiko SNK
12	GEO	TVILDIANI Lasha TBL
13	GEO	ROKHVADZE Nodari KTS
14	GEO	GABIDAURI Luka TBL
15	GEO	MEBONIA Mikheil AFKH
16	GEO	SITCHINAVA Kota TBL
17	GEO	GIORGADZE Valeriani KTS
18	GEO	GELASHVILI Giorgi SRTCH
19	GEO	KAMKAMIDZE Kakha TBL
19	GEO	BADALASHVILI Daviti TBL
19	GEO	KUPROSHVILI Goga KTS

### REPECHAGE

#### REPECHAGE FINALISTE 1

8 0 0 GEO	5 4 8 GEO	3 0 0 GEO
5 5 0 GEO	5 4 8 GEO	3 0 0 GEO
<b>5 KHVITARIA Beqa TBL (GEO)</b>		

Mdaille de Bronze

#### REPECHAGE FINALISTE 2

21 4 8 ARM	15 1 2 GEO	11 0 0 GEO
19 0 0 GEO	21 4 11 ARM	11 0 0 GEO
<b>21 POGOSYAN Vahe (ARM)</b>		

Mdaille de Bronze

**Classement****International Tournament World Champ M. Saladze**

STYLE : GR 76 kg

UNITED WORLD  
WRESTLING**1 - Or / Gold**

ZAQARIADZE Luka OZR

**2 - Argent / Silver**

TSOFURASHVILI Giorgi NORIO

**3 - Bronze**

KHVITARIA Beqa TBL



POGOSYAN Vahe

<i>Classement</i>	<i>Nom - Name</i>	<i>Pays - Country</i>
1	ZAQARIADZE Luka OZR	GEO
2	TSOFURASHVILI G.	GEO
3	KHVITARIA Beqa TBL	GEO
3	POGOSYAN Vahe	ARM
5	METREVELI Lasha ONI	GEO
5	MGALOBlishvili L.	GEO
7	RURUA Gela SNK	GEO
8	LIANOZOVI G.	GEO
9	GAIKHARASHVILI I.	GEO
10	METREVELI G.	GEO
11	SHENGELIA Omiko SNK	GEO
12	TVILDIANI Lasha TBL	GEO
13	ROKHVADZE N.	GEO
14	GABIDAURI Luka TBL	GEO
15	MEBONIA M.	GEO
16	SITCHINAVA Kota TBL	GEO
17	GIORGADZE V.	GEO
18	GELASHVILI G.	GEO
19	KAMKAMIDZE K.	GEO
19	BADALASHVILI D.	GEO
19	KUPROSHVILI G.	GEO





# Feuille de compétition / Competition Sheet

## International Tournament World Champ M. Saladze



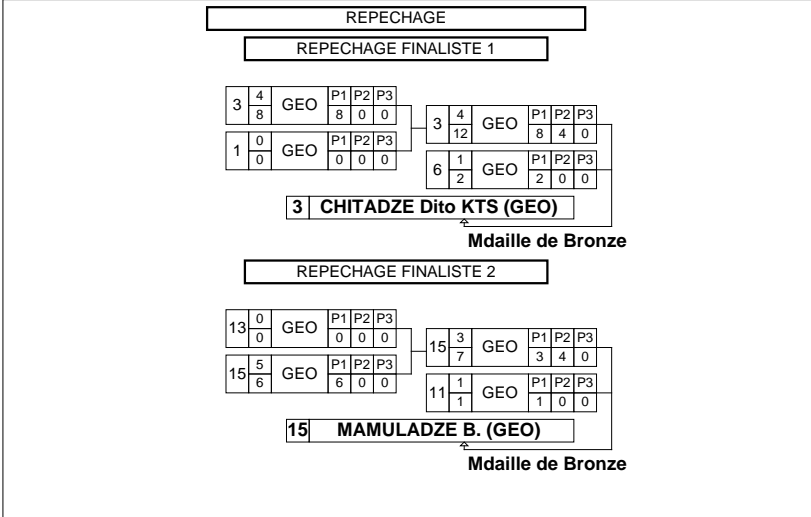
STYLE : GR 85 kg



**2 KHUTSISHVILI L. (GEO)**

Classement

Cl	Pays	Nom
1	GEO	KHUTSISHVILI Luka MRTK
2	GEO	BAGHDAVADZE Saba TBL ORC
3	GEO	CHITADZE Dito KTS
3	GEO	MAMULADZE Beglari KHLCH
5	GEO	AFTSIAURI Nika TBL
5	GEO	ALBORISHVILI Gigi TSKLT
7	GEO	TSINTSADZE Tsothe OZR
8	GEO	GHLONTI Saba OZR
9	GEO	CHKHEIDZE Elguja KHLVCH
10	GEO	DIASAMIDZE Nika AJR
11	GEO	GRDZELIDZE Otari AJR
11	GEO	SHARTAVA Luka TBL
13	GEO	IASHVILI Temuri TBL
14	GEO	VASHAKIDZE Jemali TBL
15	GEO	SHUBITIDZE Giorgi AFKH



**Classement****International Tournament World Champ M. Saladze**

STYLE : GR 85 kg

UNITED WORLD  
WRESTLING**1 - Or / Gold**

KHUTSISHVILI Luka MRTK

**2 - Argent / Silver**

BAGHDAVADZE Saba TBL ORC

**3 - Bronze**

CHITADZE Dito KTS



MAMULADZE Beglari KHLCH

<i>Classement</i>	<i>Nom - Name</i>	<i>Pays - Country</i>
1	KHUTSISHVILI L.	GEO
2	BAGHDAVADZE S.	GEO
3	CHITADZE Dito KTS	GEO
3	MAMULADZE B.	GEO
5	AFTSIAURI Nika TBL	GEO
5	ALBORISHVILI G.	GEO
7	TSINTSADZE T.	GEO
8	GHLONTI Saba OZR	GEO
9	CHKHEIDZE E.	GEO
10	DIASAMIDZE Nika AJR	GEO
11	GRDZELIDZE O.	GEO
11	SHARTAVA Luka TBL	GEO
13	IASHVILI Temuri TBL	GEO
14	VASHAKIDZE J.	GEO
15	SHUBITIDZE G.	GEO



**Classement par équipe / Teams ranking**

**International Tournament World Champ M. Saladze**

**STYLE GR**



Rank
1
2
3
4

